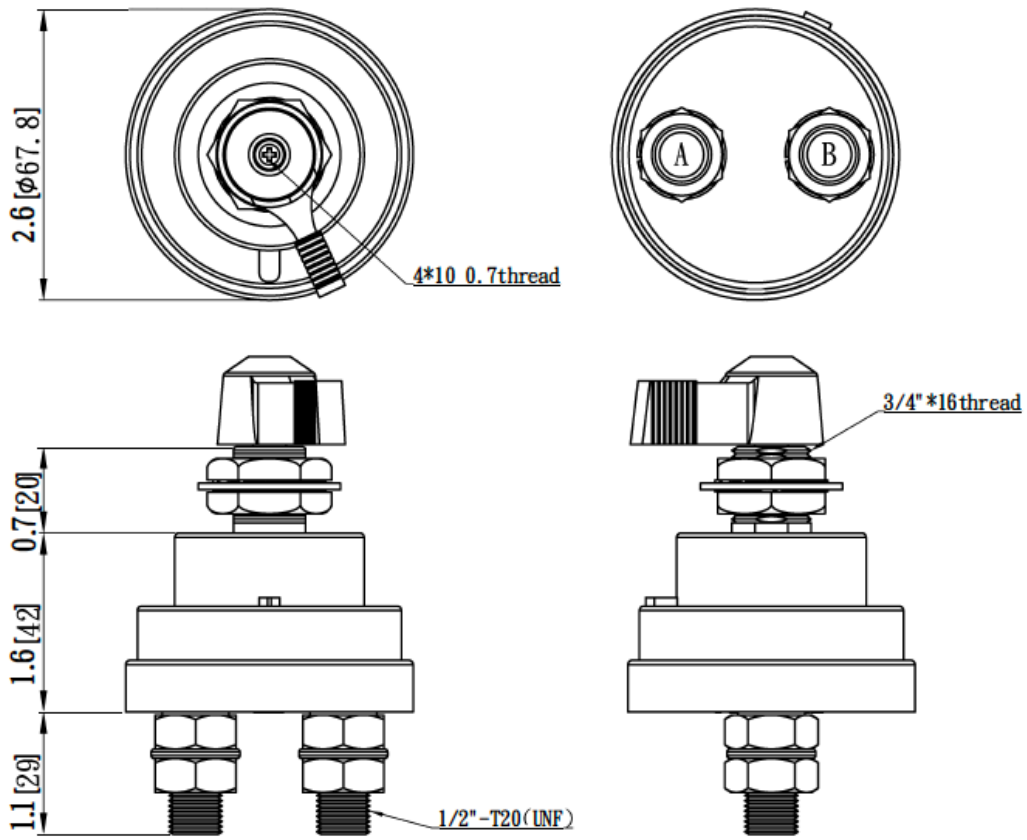
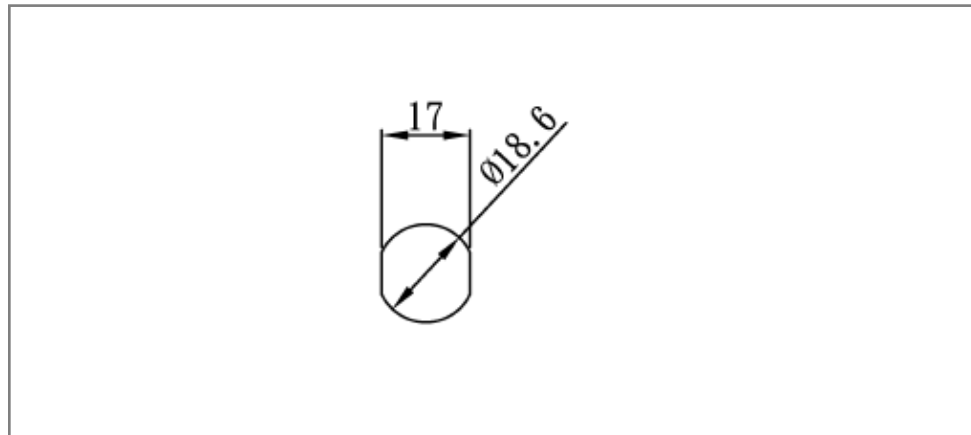


Mechanical Dimensions: Inches [mm]

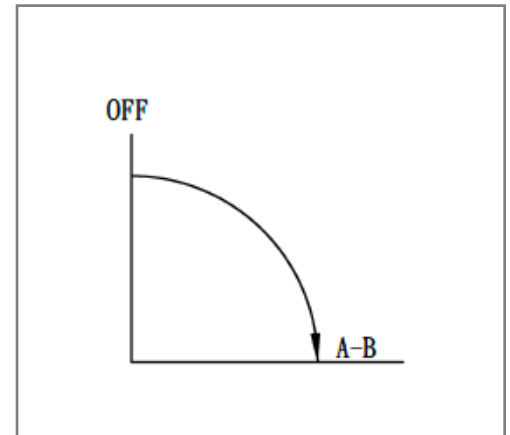
Tolerances  $\pm 0.012$  [0.3] Unless Otherwise Specified



Mounting Hole



Circuit Diagram



Rev	Date of issue	Revision Notes	Designed	Approved
A	05-28-2019	Initial Drawing	RC	OH