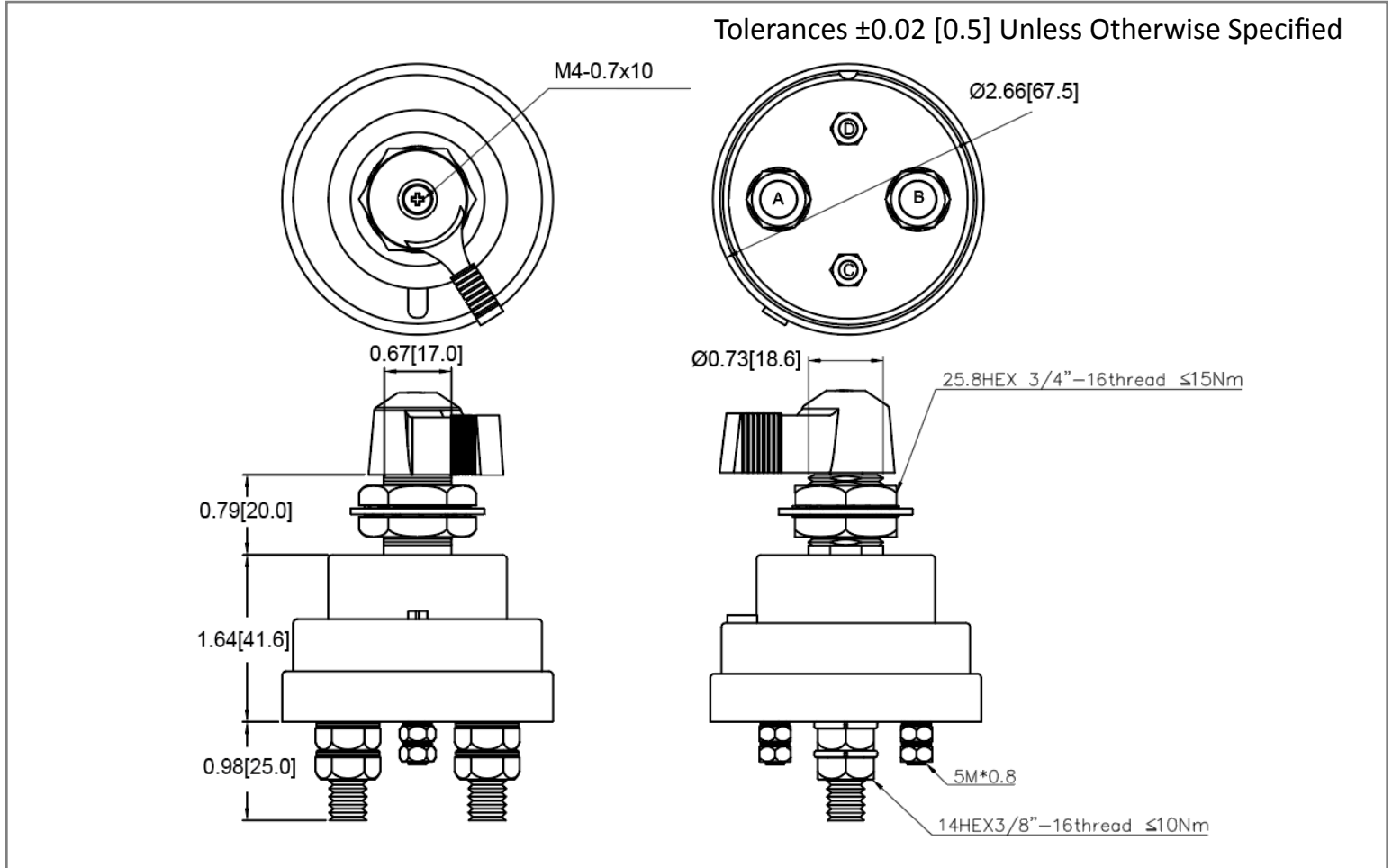
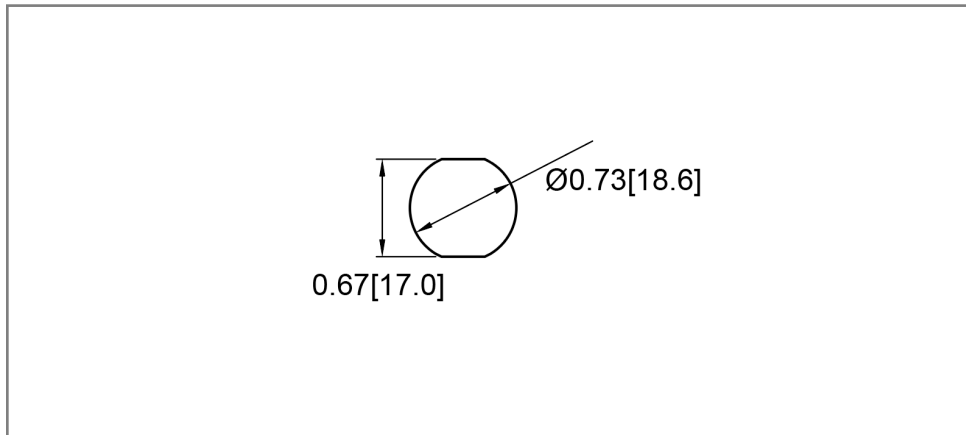


Mechanical Dimensions: Inches [mm]

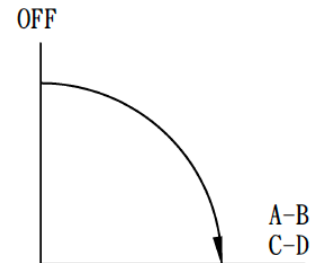


Mounting Hole



Circuit Diagram

DPST: For battery and alternator or generator field circuit.



Electrical Specifications

Operation Voltage Range	6VDC-36VDC
Continuous Rating	24VDC 180A (Large Studs) 20A (Small Studs)
Intermittent Rating	1000A for 15secs intervals
Insulation Resistance	100M ohms/ 500VDC
Dielectric Strength	AC 1000V 1 minute
Operation Temperature	-40°C~85°C

Material Specifications

Zinc diecast construction
Sealed with O-rings at base and mounting stem
Copper, Silver plated terminals
Ingress Protection IP 65

Rev	Date of issue	Revision Notes	Designed	Approved
B	07-28-2023	updated mounting hole; updated continuous rating	RC	OF