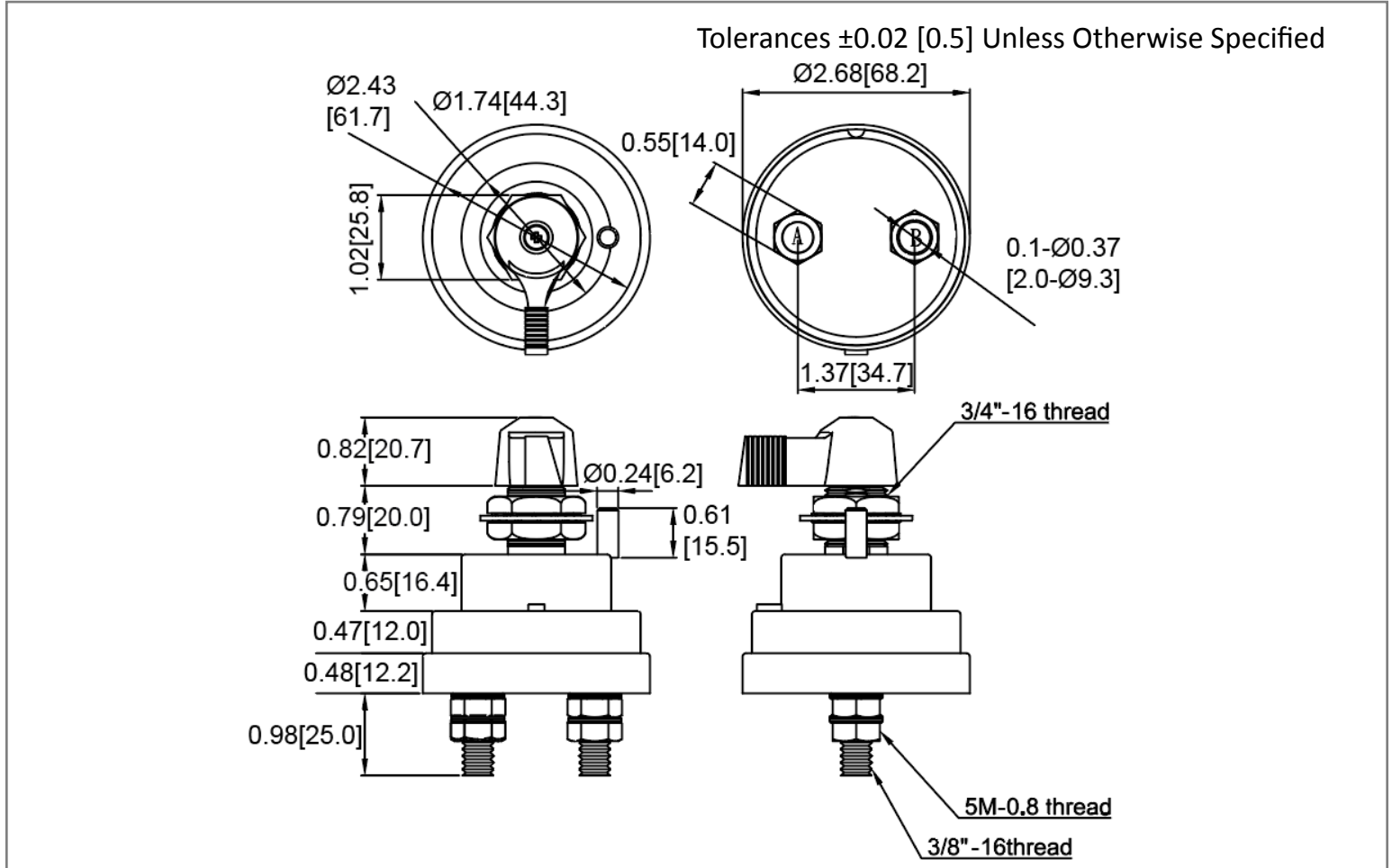
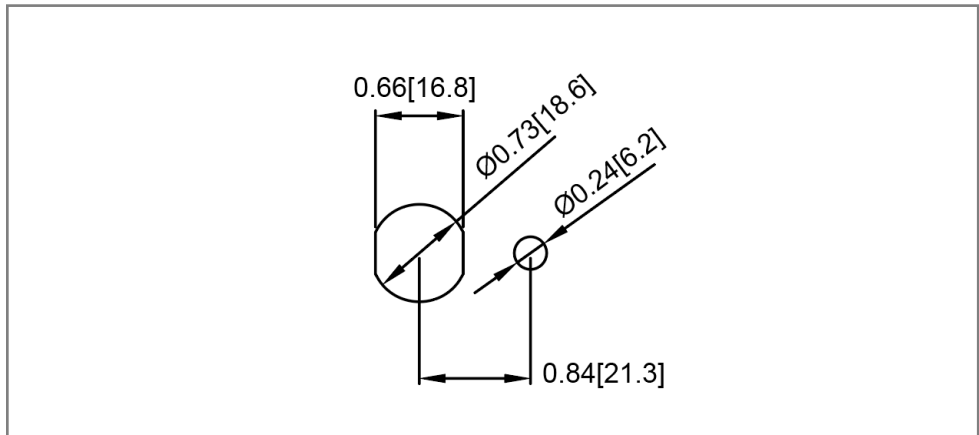


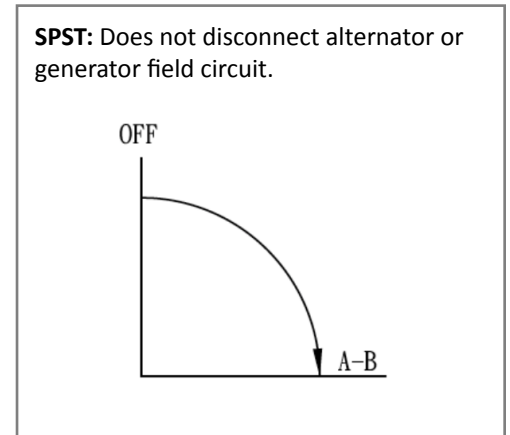
Mechanical Dimensions: Inches [mm]



Mounting Hole



Circuit Diagram



Electrical Specifications

Operating Temperature Rang	From -40°C to 85°C	Operating voltage range	$6\sim 36\text{VDC}$
Minimum Insultaion Resistance	100M ohms/ 500V	Duty Rating Continuous	24V 180Amps
Di-Electric Withstanding Voltage	1000V / 1 min.	Ingress Protection	IP65
Max. Contact Drop at Max. load	150mV at rated load		
Intermittent Rating	15s/1000A		

Rev	Date of issue	Revision Notes	Designed	Approved
C	07-25-2023	Updateing Drawing Dimensions	RC	OF