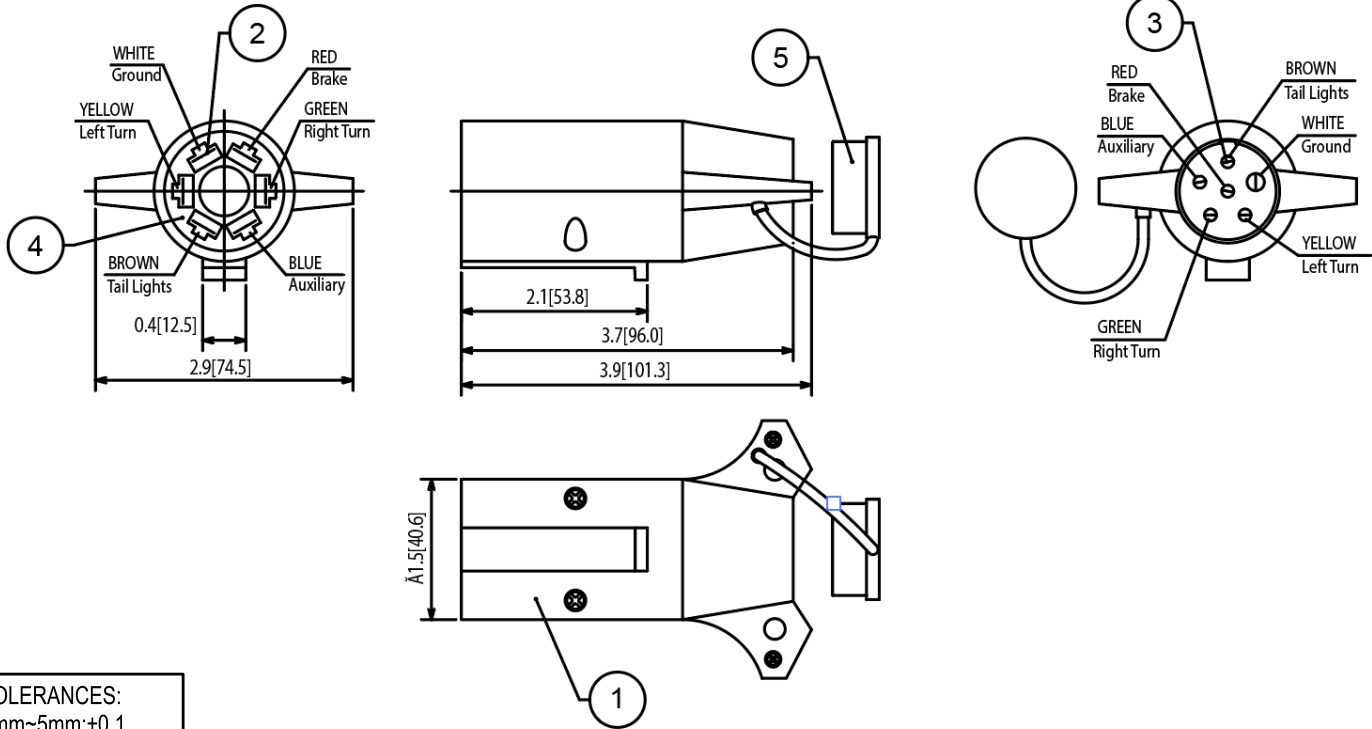


**Mechanical Dimensions: Inches [mm]**

Tolerances  $\pm 0.012$  [0.3] Unless Otherwise Specified



**TOLERANCES:**  
 1mm~5mm:  $\pm 0.1$   
 6mm~20mm:  $\pm 0.2$   
 21mm~50mm:  $\pm 0.3$   
 51mm~100mm:  $\pm 0.5$   
**ANGLES:  $\pm 1^\circ$**

**Material Specifications**

ITEM#	NAME	MATERIAL
1	PLUG SHELL	NYLON
2	TERMINAL	BRASS
3	ROUND TERMINAL	BRASS
4	TERMINAL BASE	NYLON
5	BOOT	PVC

Rev	Date of issue	Revision Notes	Designed	Approved
A	08-28-2019	Initial Drawing	RC	OH