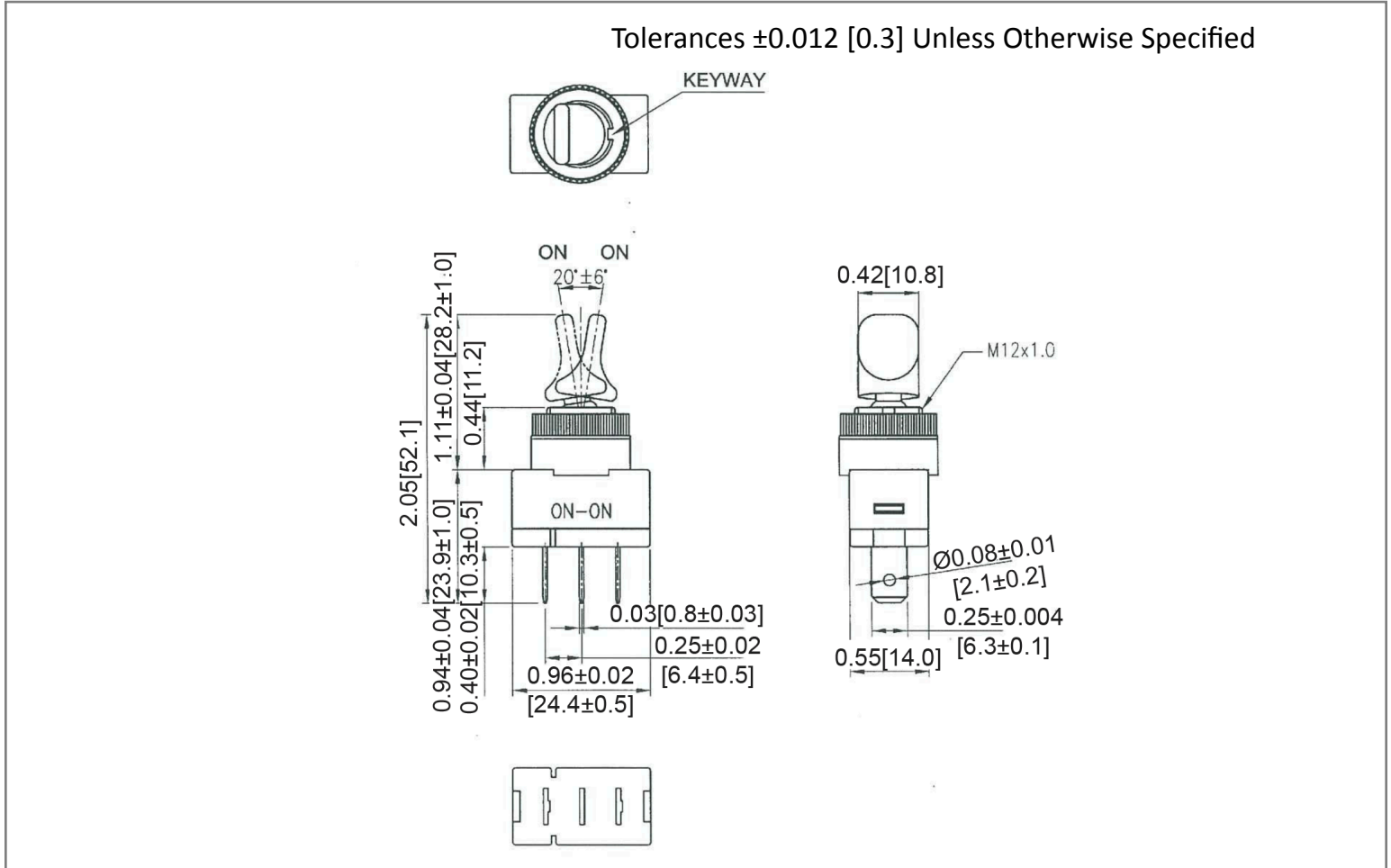
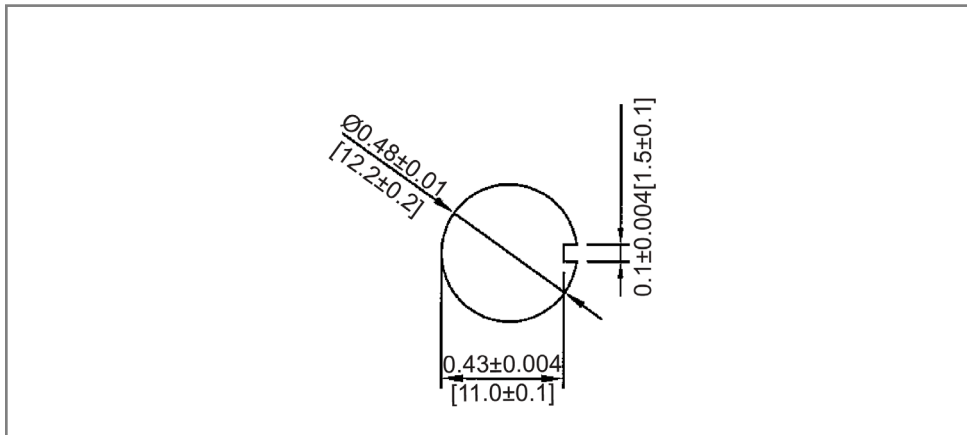


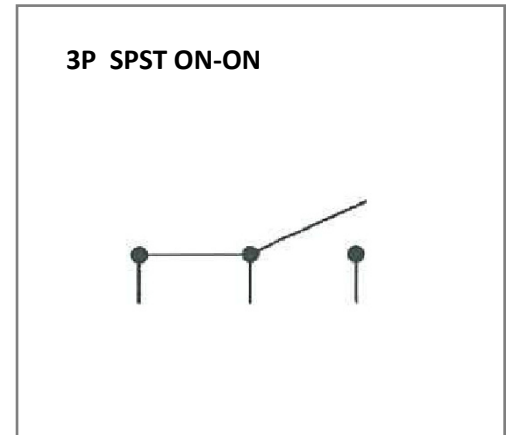
Mechanical Dimensions: Inches [mm]



Mounting Hole



Circuit Diagram



Electrical Specifications

Rating	20A 12V DC
Contact Resistance	50m ohm Max
Dielectric Strength	AC 1500V 1Min
Insulation Resistance	DC 500V 100M ohm Min
Operation Temperature	-25°C~85°C

Material Specifications

Housing	PC, Black
Handle	PC, Black

Rev	Date of issue	Revision Notes	Designed	Approved
B	07-22-2021	Initial Drawing	RC	OF