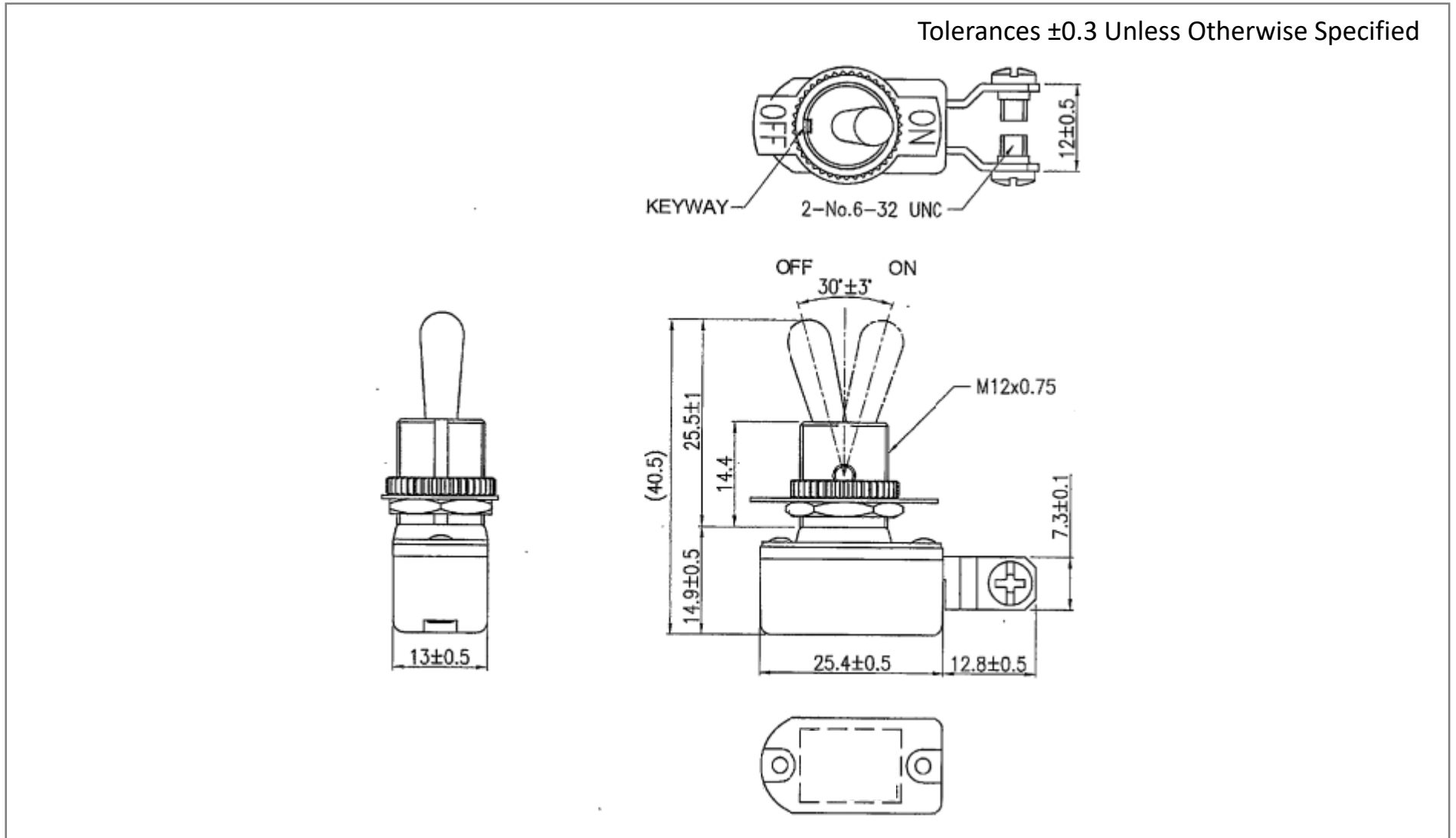
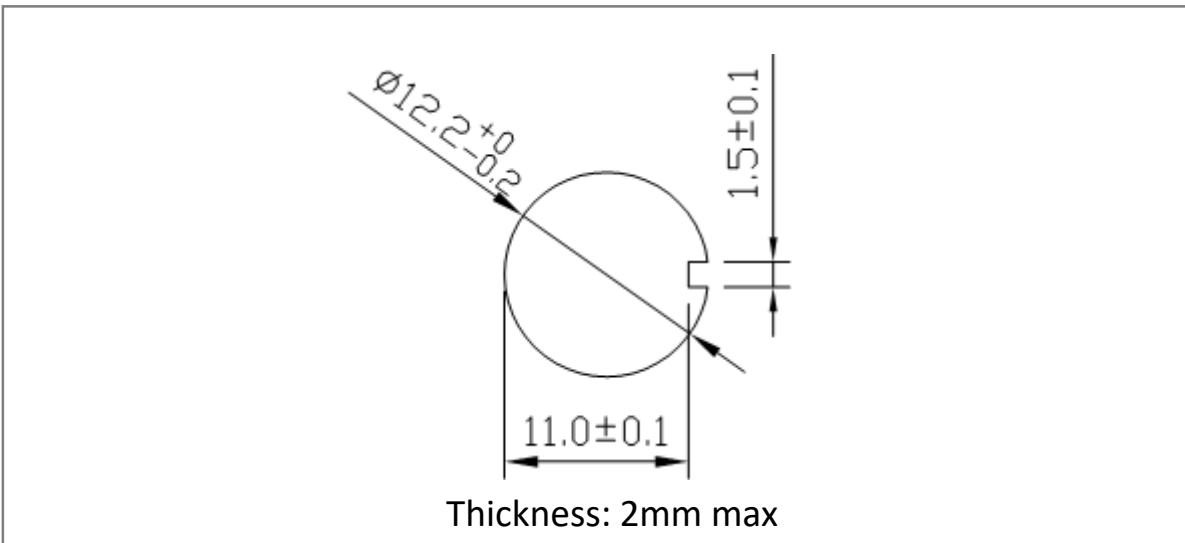


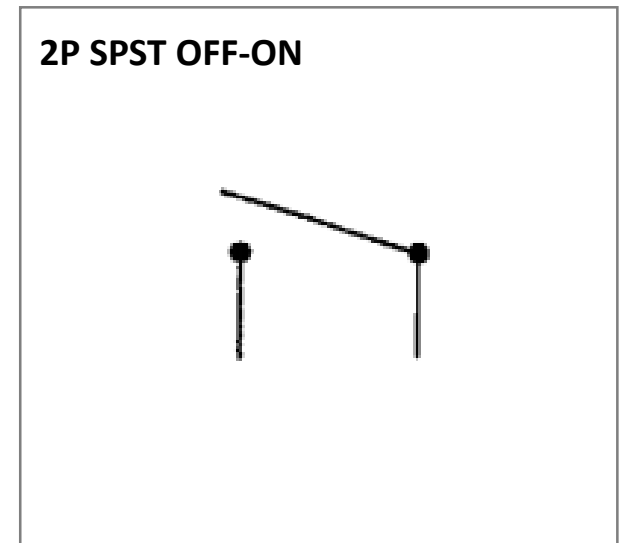
Mechanical Dimensions (mm)



Mounting Hole



Circuit Diagram



Electrical Specifications

DC Rating	6A 12V DC
AC Rating	6A 125V AC, 3A 250V AC
Contact Resistance	50m ohm Max.
Insulation Resistance	DC 500V 100M ohm Min.
Dielectric Strength	AC 1000V 1 minute

Material Specifications

1 HEX NUT ASSY	
1 KNURL NUT ASSY	
1 ON/OFF FACE PLATE ASSY	
Operation Temperature	-20°C~85°C