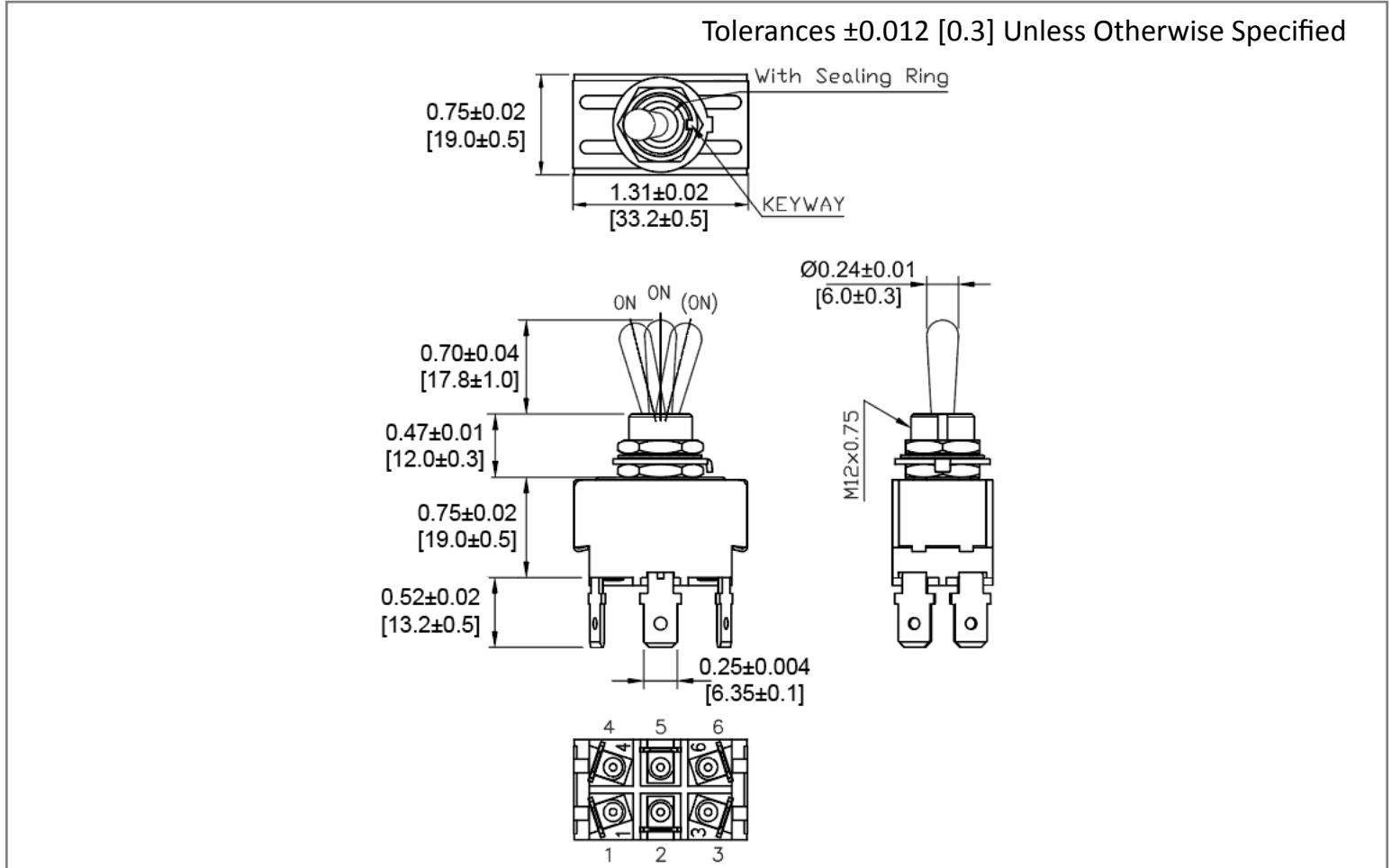
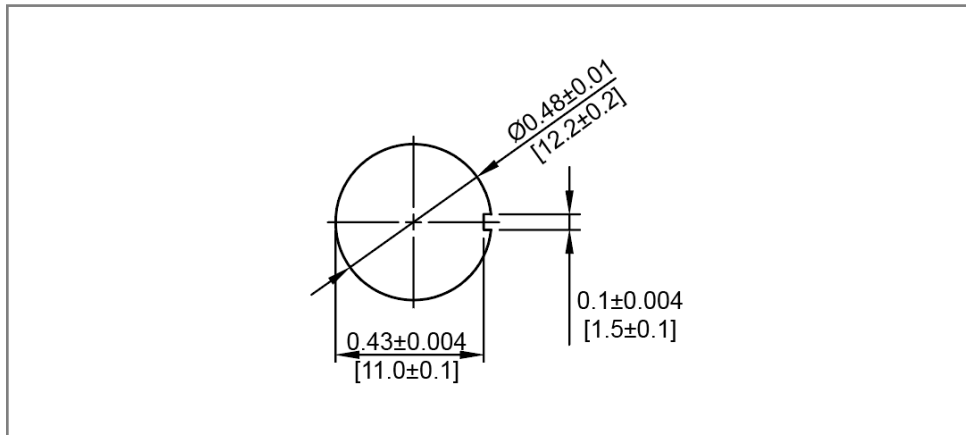


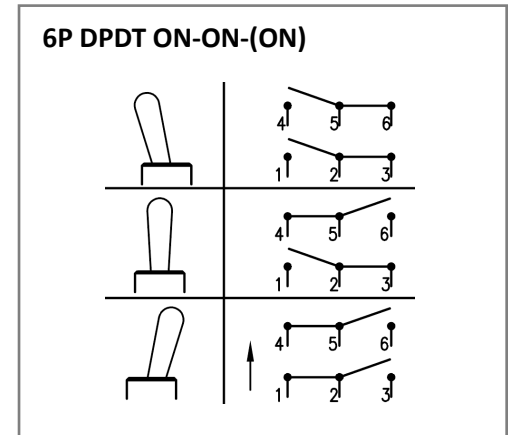
Mechanical Dimensions: Inches [mm]



Mounting Hole



Circuit Diagram



Electrical Specifications

Rating	20A 12VDC	2 HEX NUT ASSY
Contact Resistance	50m ohm Max.	1 LOCK WASHER ASSY
Insulation Resistance	DC 500V 100M ohm Min.	1 LOCATING RING ASSY
Dielectric Strength	AC 1500V 1 minute	

Rev	Date of issue	Revision Notes	Designed	Approved
A	09-06-2023	Initial Drawing	RC	OF