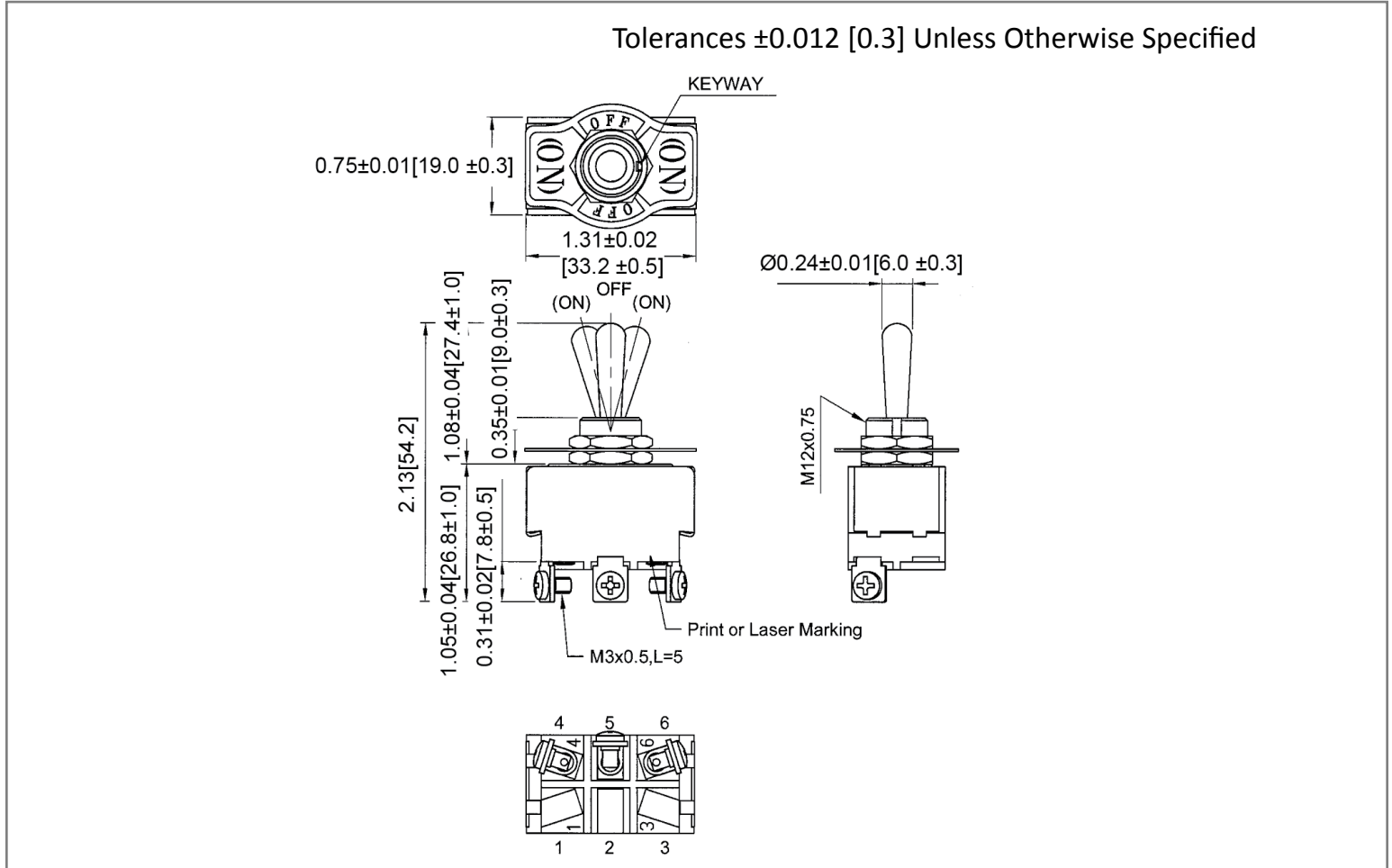
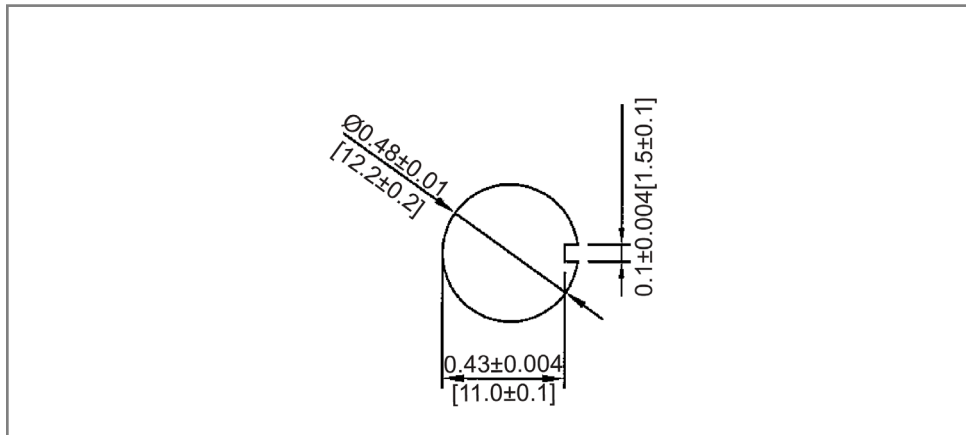


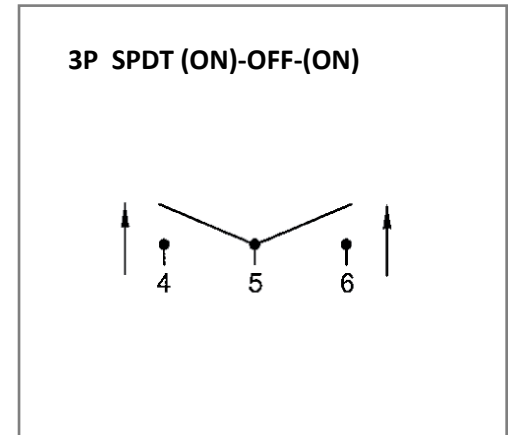
## Mechanical Dimensions: Inches [mm]



## Mounting Hole



## Circuit Diagram



## Electrical Specifications

<b>Rating</b>	20A 12V DC 10A 24V DC
<b>Contact Resistance</b>	50m ohm Max
<b>Dielectric Strength</b>	AC 1500V 1Min
<b>Insulation Resistance</b>	DC 500V 100M ohm Min
<b>Operation Temperature</b>	0°C~55°C

## Material Specifications

<b>Material</b>	2 Hex Nut Assy
<b>Material</b>	
<b>Material</b>	

Rev	Date of issue	Revision Notes	Designed	Approved
B	07-22-2021	Initial Drawing	RC	OF