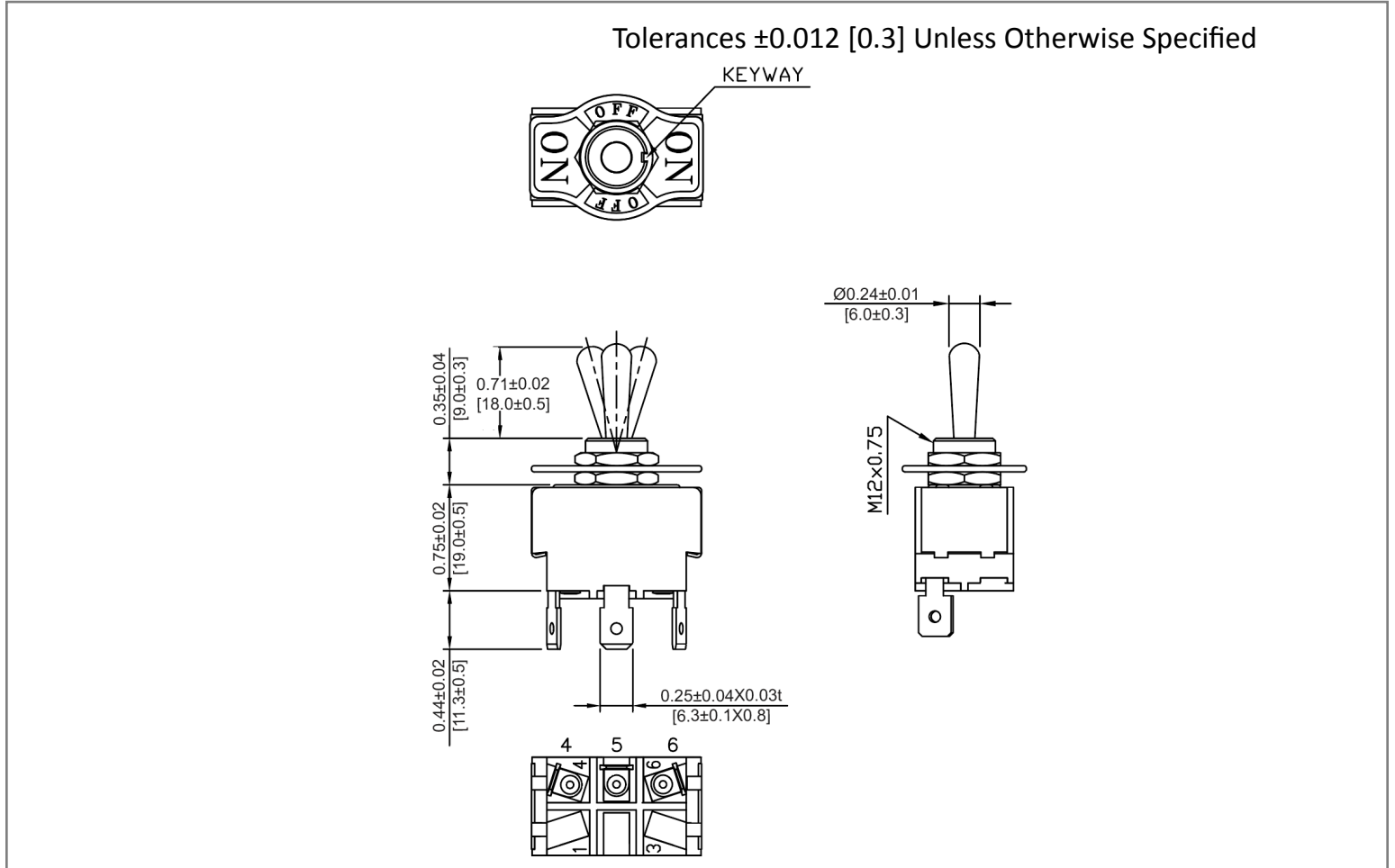
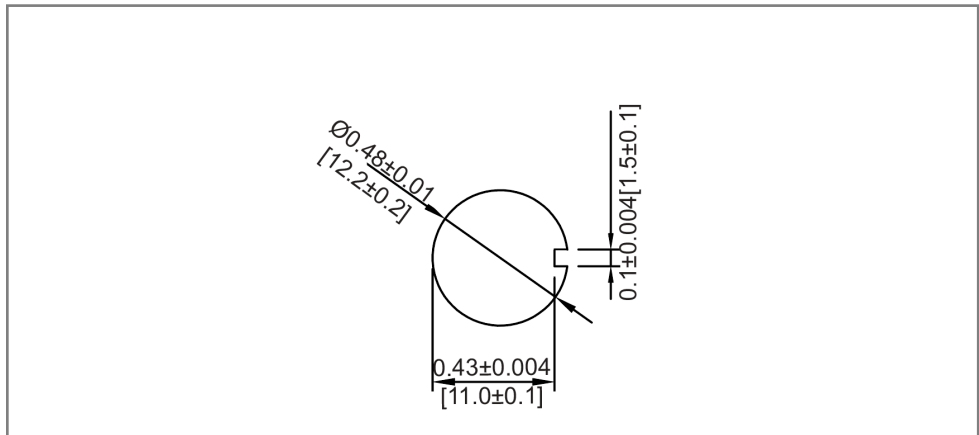


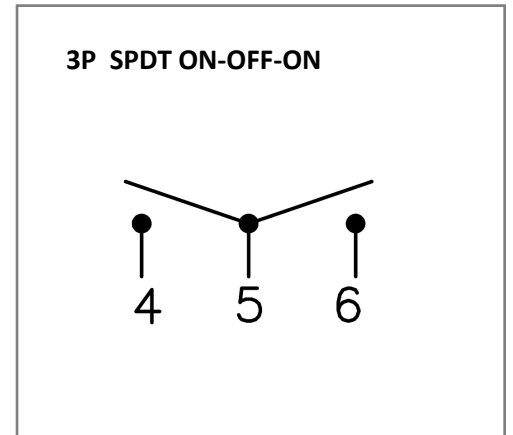
Mechanical Dimensions: Inches [mm]



Mounting Hole



Circuit Diagram



Electrical Specifications

Rating	20A 12V DC 10A 24V DC	
Contact Resistance	50m ohm Max	
Insulation Resistance	DC 500V 100M ohm Min	
Dielectric Strength	DC 1500V 1 Min	

Rev **Date of issue** **Revision Notes**

Designed **Approved**

B	07-22-2021	Initial Drawing	RC	OF
---	------------	-----------------	----	----