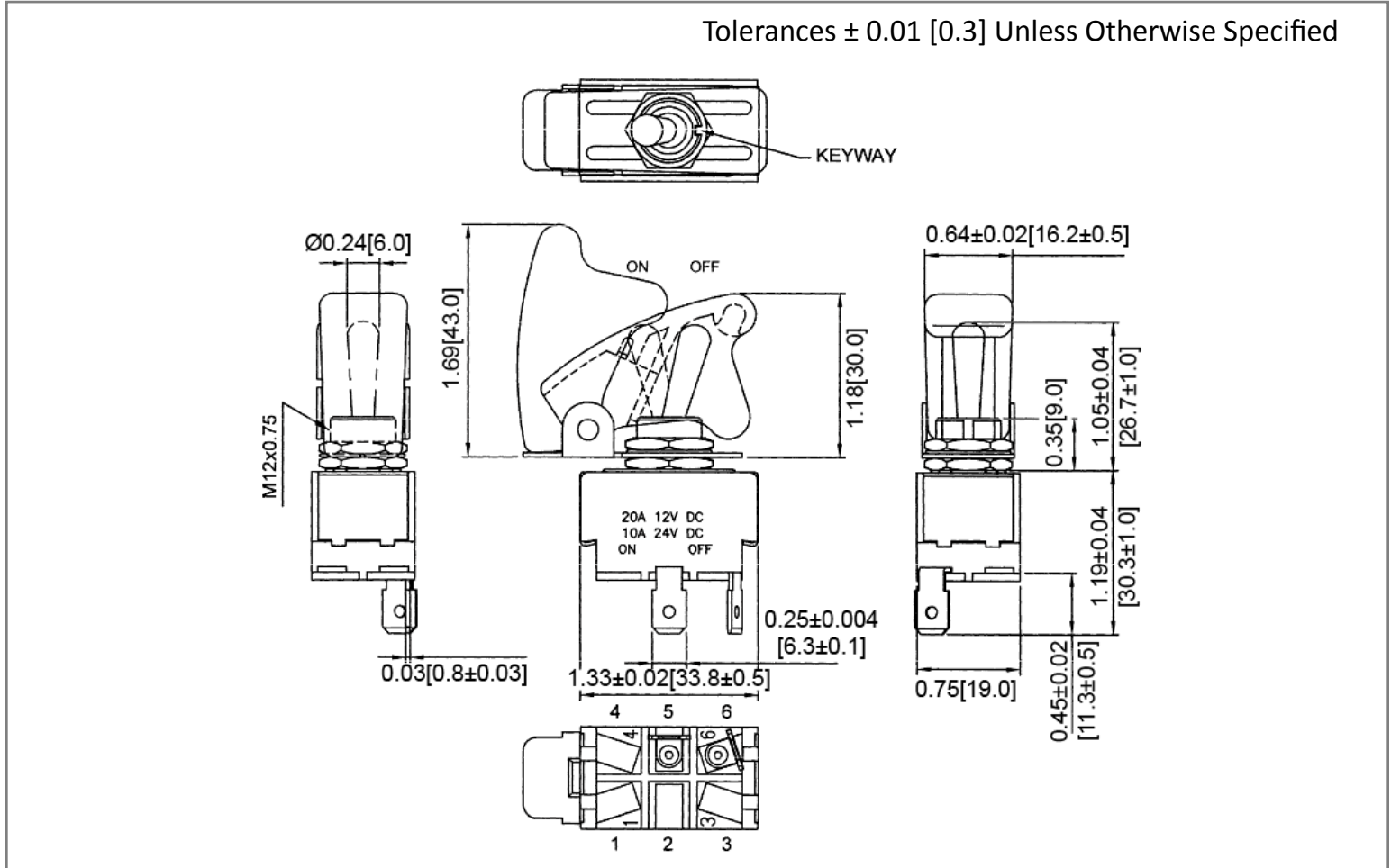
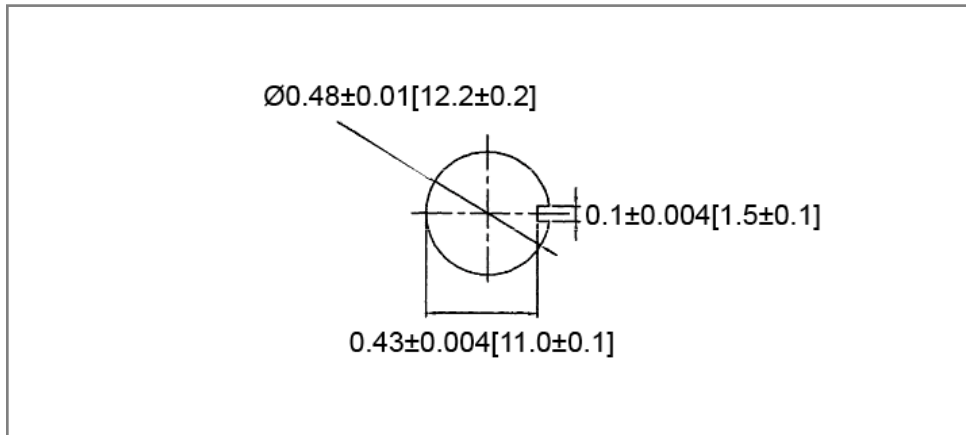


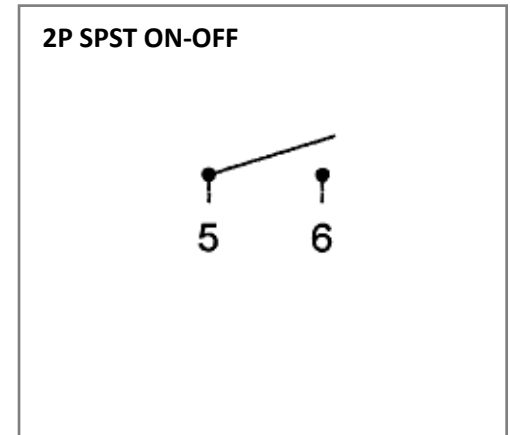
Mechanical Dimensions: Inches [mm]



Mounting Hole



Circuit Diagram



Electrical Specifications

Rating	20A 12V DC, 10A 24V DC
Contact Resistance	50m ohm Max.
Insulation Resistance	DC 500V 100M ohm Min
Dielectric Strength	AC 1500V 1 minute
Operation Temperature	0°C~55°C

Material Specifications

Face Plate Material	Steel with black glossy finish
Spring Loaded Switch Cover Material	Red ABS

Toggle Switch with Saftey Cover

TB2-1A-DC-1-SC-R



Rev	Date of issue	Revision Notes	Designed	Approved
A	09-12-2023	Initial Drawing	RC	OF