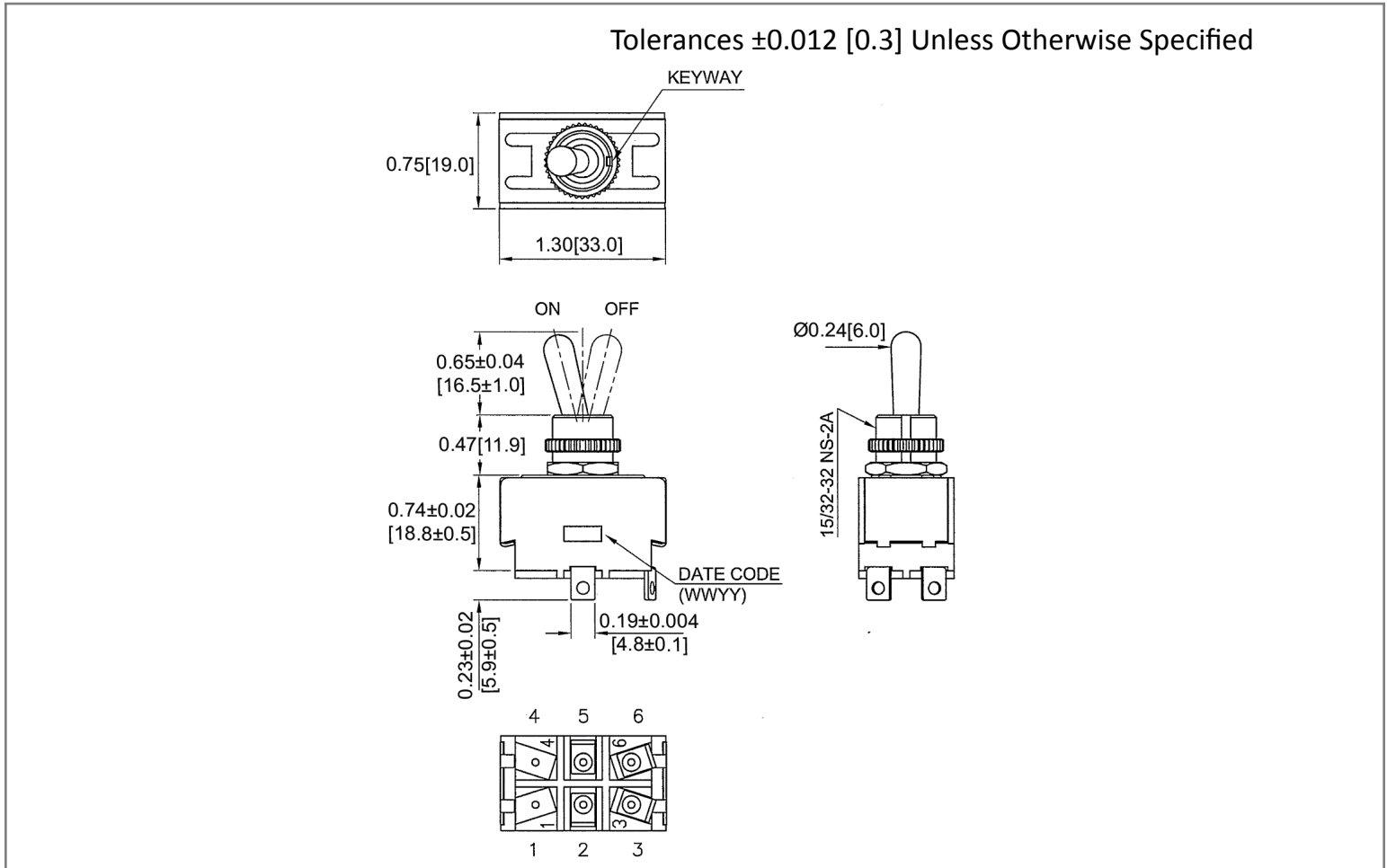
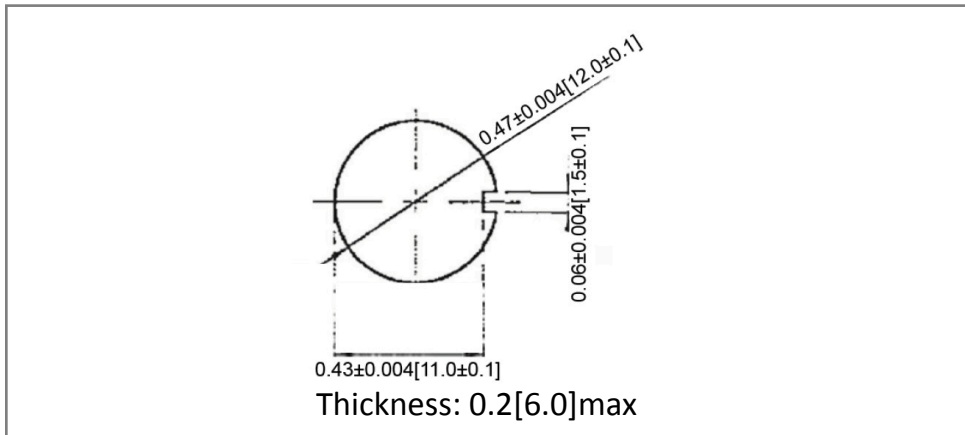


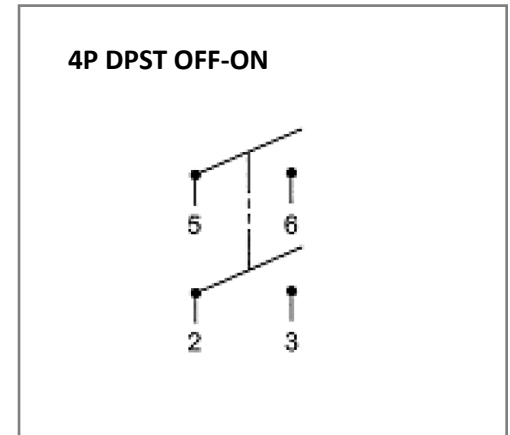
## Mechanical Dimensions: Inches [mm]



## Mounting Hole



## Circuit Diagram



## Electrical Specifications

<b>DC Rating</b>	21A 14V DC
<b>AC Rating</b>	20A 125V AC, 10A 277V AC, 1 1/2HP 125-250V AC 10(4)A 125/250V AC
<b>Contact Resistance</b>	50m ohm Max
<b>Insulation Resistance</b>	DC 500V 100M ohm Min.
<b>Dielectric Strength</b>	AC 1500V 1 minute

## Material Specifications

<b>1 HEX NUT ASSY</b>	
<b>1 KNURL NUT</b>	
<b>Operation Temperature</b>	1200gf±300gf
<b>Ingress Protection (With WT2 Boot)</b>	IPX6 (Above Mounted Panel Only)

<b>Rev</b>	<b>Date of issue</b>	<b>Revision Notes</b>	<b>Designed</b>	<b>Approved</b>
A	05-13-2019	Initial Drawing	RC	OF