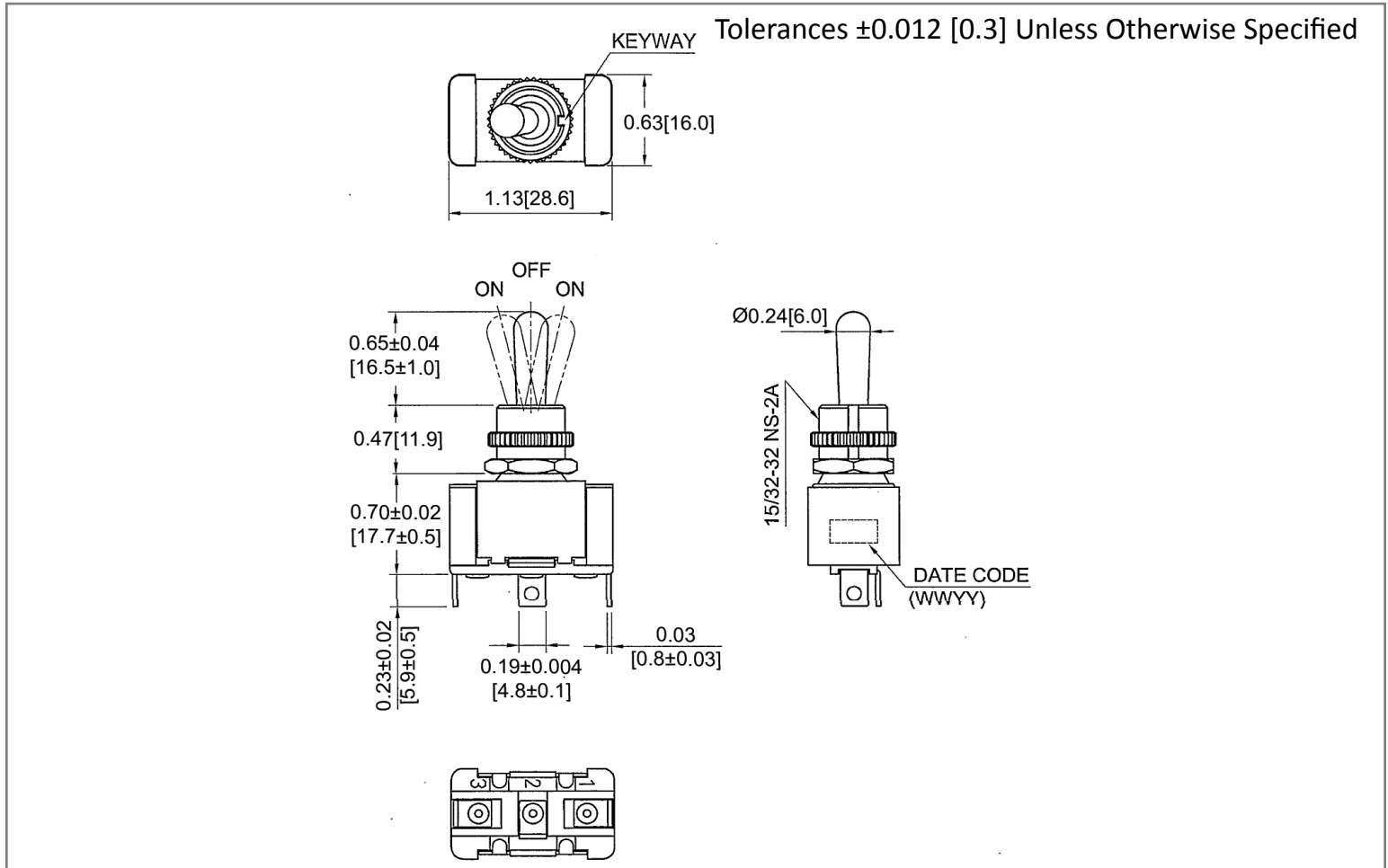
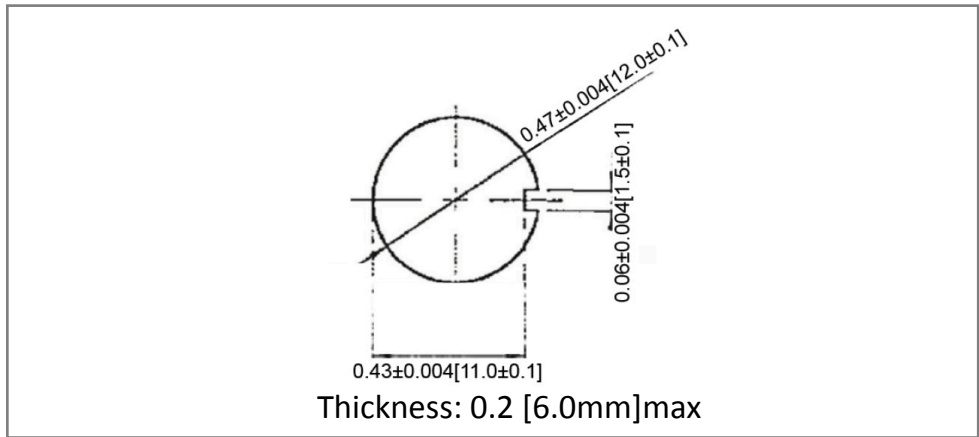


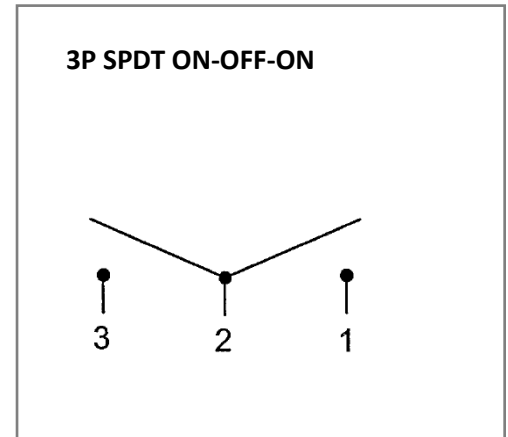
Mechanical Dimensions: Inches [mm]



Mounting Hole



Circuit Diagram



Electrical Specifications

| | |
|------------------------------|---|
| DC Rating | 21A 14V DC |
| AC Rating | 20A 125V AC, 10A 277V AC, 3/4HP 125-250V AC 12(4)A 125/250V AC |
| Contact Resistance | 50m ohm Max |
| Insulation Resistance | DC 500V 100M ohm Min |
| Dielectric Strength | AC 1500V 1 minute |

Material Specifications

| | |
|------------------------------|--|
| Operation Force | OFF-ON: 1100gf \pm 300 gf, ON-OFF: 600gf \pm 200 gf |
| | 1 hex nut assy |
| | 1 knurl nut assy |
| Operation Temperature | -20°C ~ 85°C |

| Rev | Date of issue | Revision Notes | Designed | Approved |
|-----|---------------|-----------------|----------|----------|
| A | 02-18-2019 | Initial Drawing | RC | OF |