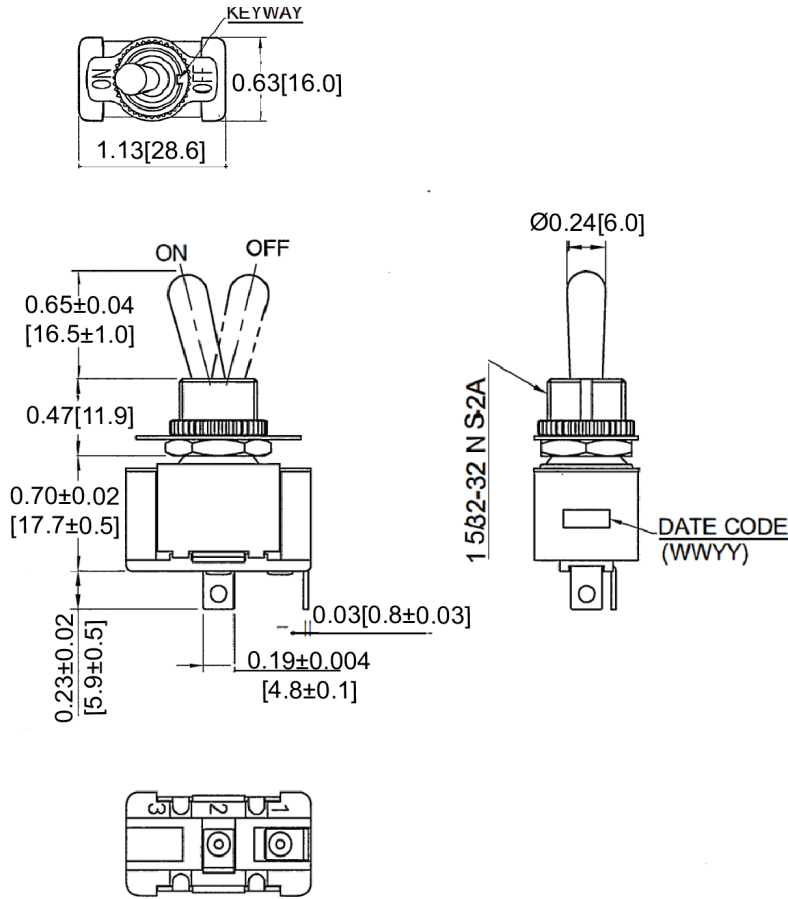
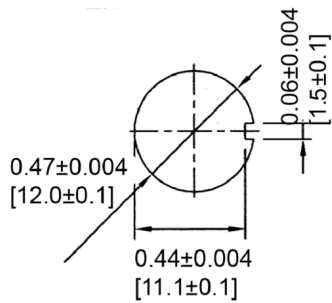


## Mechanical Dimensions: Inches [mm]

Tolerances  $\pm 0.012$  [0.3] Unless Otherwise Specified



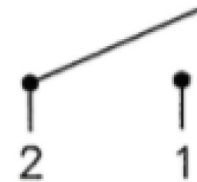
## Mounting Hole



Thickness: 0.2 [6.0]

## Circuit Diagram

2P SPST OFF-ON



## Electrical Specifications

<b>DC Rating</b>	21A 14VDC
<b>AC Rating</b>	20A 125V AC, 10A 277V AC, 3/4HP 125-250V AC 12(4)A 125/250V AC
<b>Contact Resistance</b>	50m ohm Max
<b>Insulation Resistance</b>	DC 500V 100M ohm Min
<b>Dielectric Strength</b>	AC 1500V 1 minute

## Material Specifications

<b>Operation Force</b>	700gf $\pm$ 250 gf
	1 Hex Nut Assy
	1 Knurl Nut Assy
	1 ON/OFF Face Plate
<b>Operation Temperature</b>	-20°C~85°C

**Rev**    **Date of issue**    **Revision Notes**

**Designed**    **Approved**

B	05-17-2021	Initial Drawing	RC	OF
---	------------	-----------------	----	----