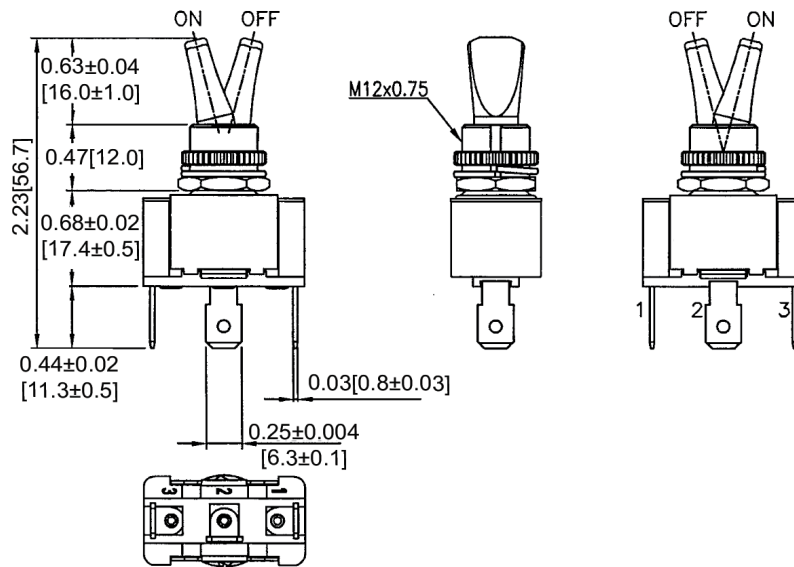
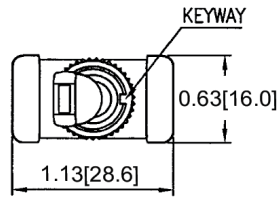
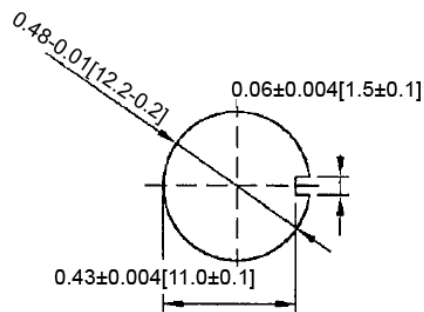


Mechanical Dimensions: Inches [mm]

Tolerances ± 0.012 [0.3] Unless Otherwise Specified



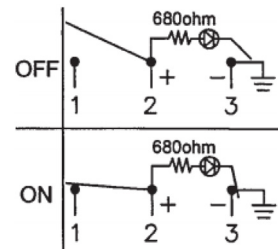
Mounting Hole



Thickness: 0.16 [4.0] max

Circuit Diagram

3P SPST OFF-ON (LED-D)



Electrical Specifications

Rating	20A 12V DC
Contact Resistance	50m ohm Max
Insulation Resistance	DC 500V 100M ohm Min
Dielectric Strength	AC 1500V 1 minute
Operation Temperature	20°C ~ 85°C

Material Specifications

1 HEX NUT ASSY

1 SPRING WASHER ASSY

1 KNURL NUT ASSY

LED

Green (Dependent)

Rev	Date of issue	Revision Notes	Designed	Approved
B	03-04-2020	Initial Drawing	RC	OF