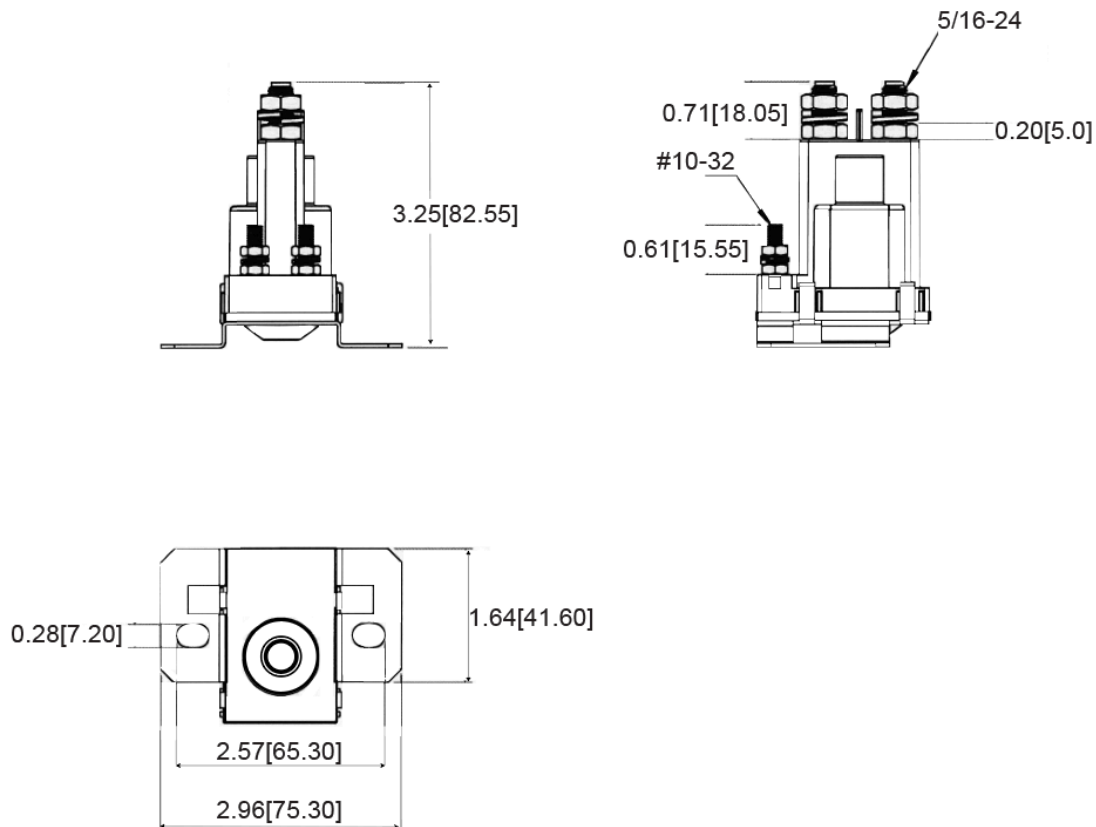


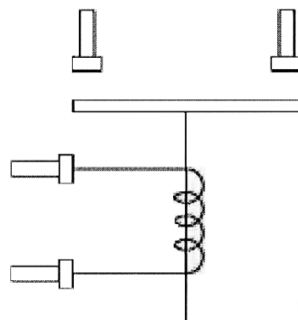
## Mechanical Dimensions: Inches [mm]

Tolerances  $\pm 0.012$  [0.3] Unless Otherwise Specified



## Circuit Diagram

Continuous Duty. Insulated base.



## Electrical Specifications

Continuous Rating	12V 100A
Inrush Rating	400A
Coil Resistance	14 $\pm$ 10 Ohms
Operating Voltage	< 8.4VDC
Release Voltage	> 1.2VDC

## Material Specifications

Silver Contacts
Load terminals 5/16" - 24 Thread
Coil terminals No.10-32 Thread

Rev	Date of issue	Revision Notes	Designed	Approved
A	05-11-2020	Initial Drawing	RC	OF