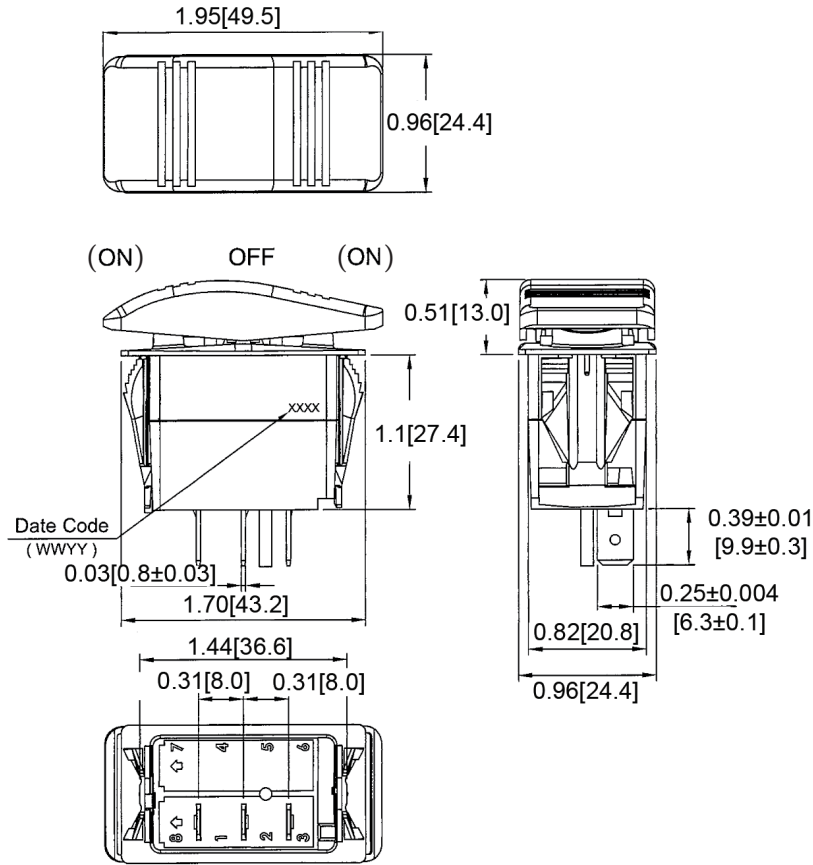
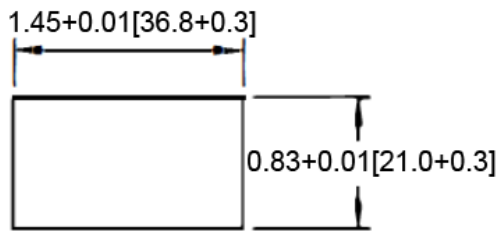


**Mechanical Dimensions: Inches [mm]**

Tolerances  $\pm 0.012$  [0.3] Unless Otherwise Specified



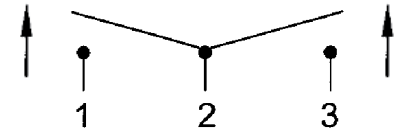
**Mounting Hole**



**Thickness:** 0.04-0.20 [1.0-5.0] max

**Circuit Diagram**

3P SPDT (ON)-OFF-(ON)



**Electrical Specifications**

DC Rating	21A 14V DC
AC Rating	20A 125V AC, 10A 250V AC
Contact Resistance	50m ohm Max.
Insulation Resistance	DC 500V 100M ohm Min.
Dielectric Strength	AC 1500V 1 minute

**Material Specifications**

Frame   Actuator	Black, Nylon 66 (94V-2)
Terminals	Silver Plated Copper
Ingress Protection	IP56
Operation Temperature	-25°C ~ 85°C

Rev	Date of issue	Revision Notes	Designed	Approved
B	03-09-2020	Initial Drawing	RC	OF