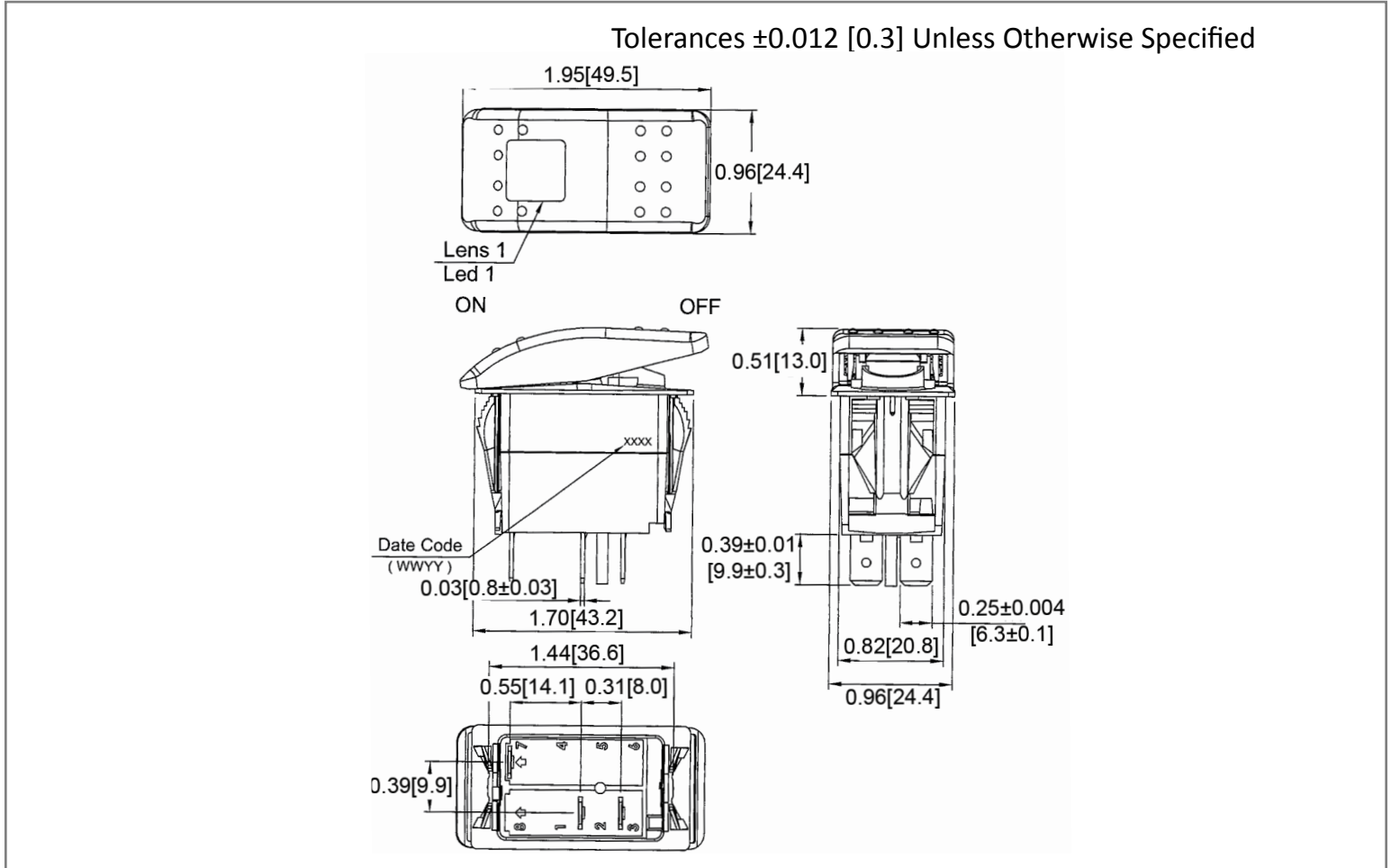
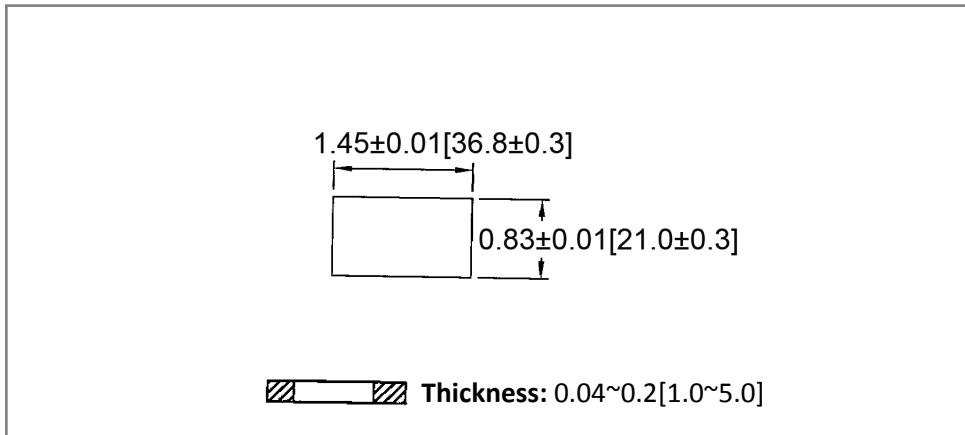


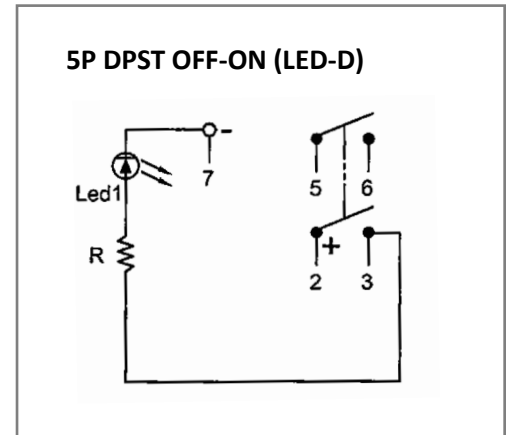
**Mechanical Dimensions: Inches [mm]**



**Mounting Hole**



**Circuit Diagram**



**Electrical Specifications**

Rating	21A 14V DC
Contact Resistance	50m ohm Max
Insulation Resistance	DC 500V 100M ohm Min
Dielectric Strength	AC 1500V 1 minute
Operation Temperature	-25°C~85°C

**Material Specifications**

Frame   Actuator	Black, Nylon 66 (94V-2)
Lens	White diffused, PC
LED	Red, (Dependent)
Terminals	Silver Plated Copper / Brass
Waterproof	IP67

Rev	Date of issue	Revision Notes	Designed	Approved
B	04-05-2023	Initial Drawing	RC	OF