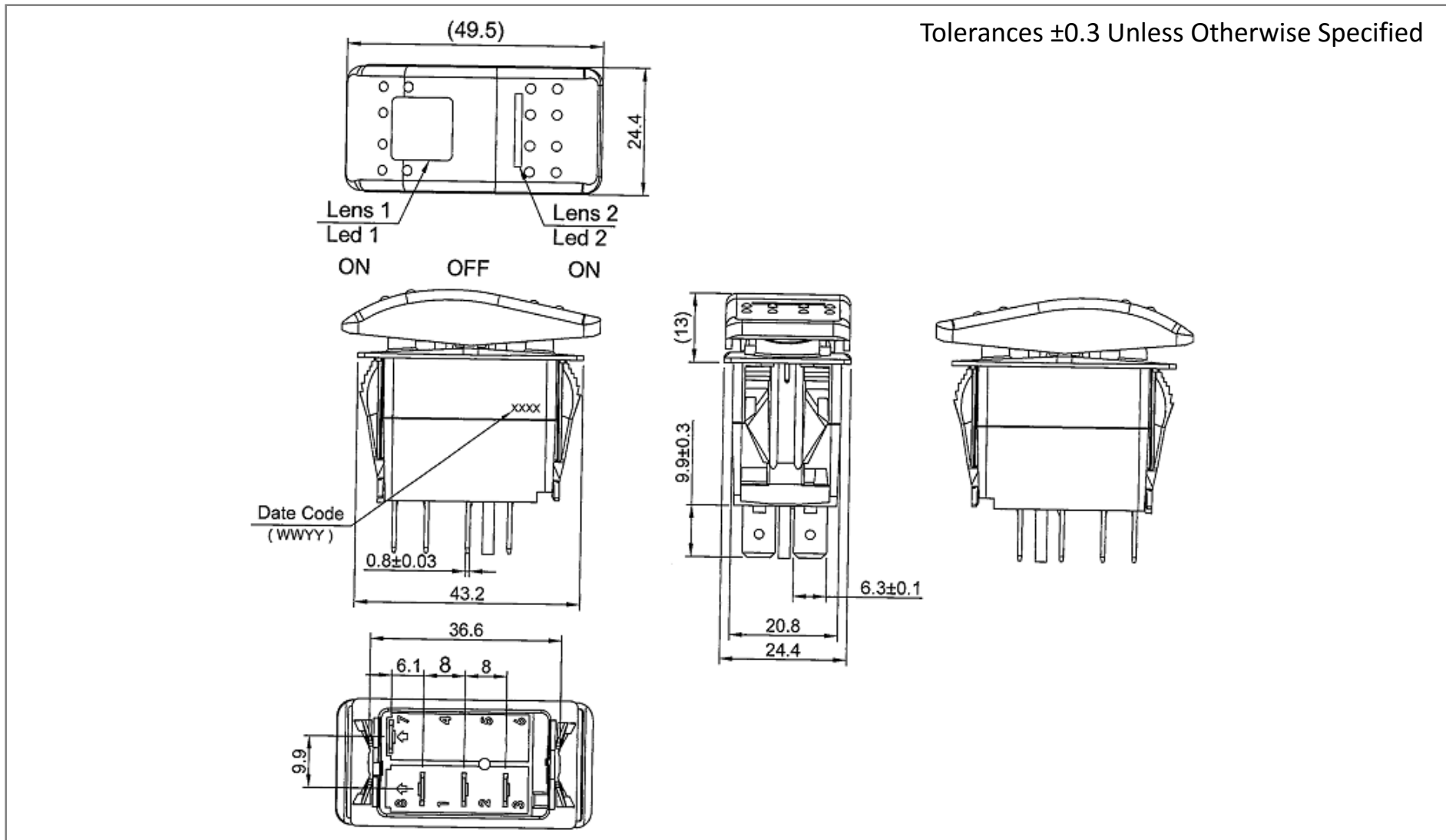
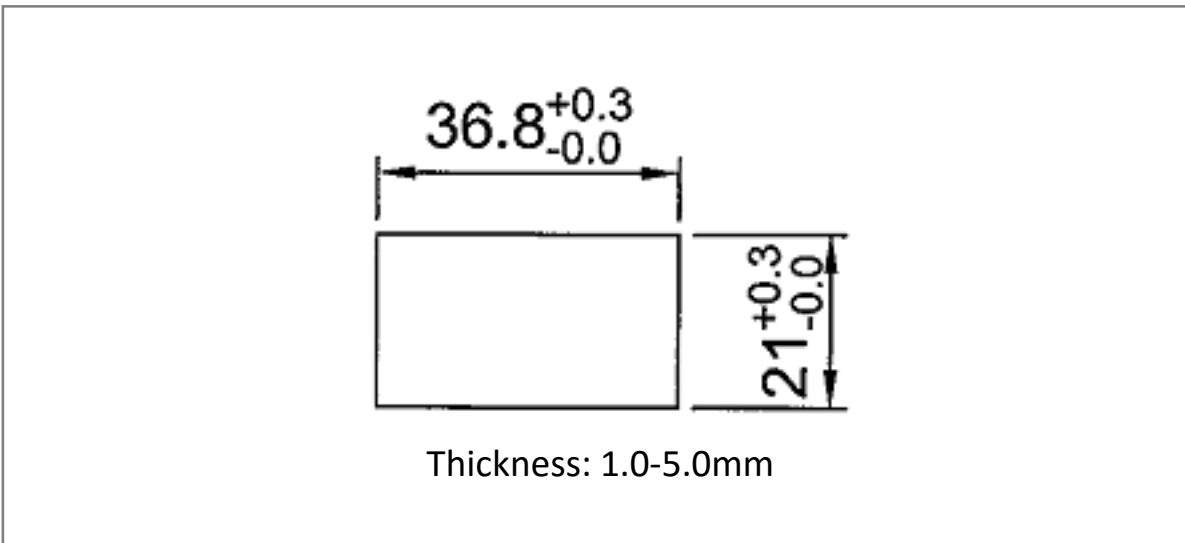


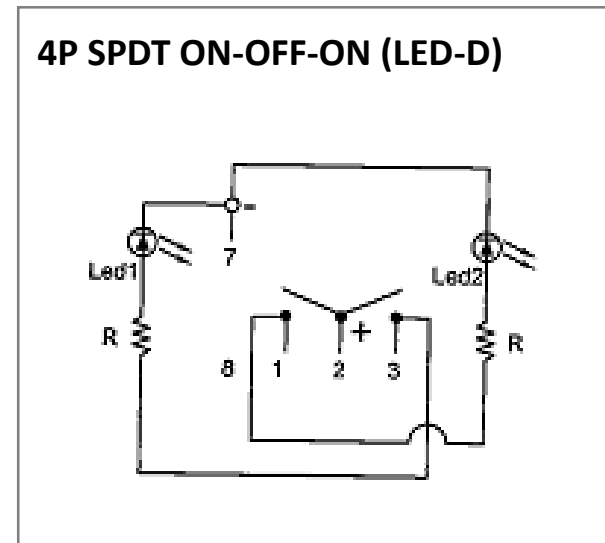
Mechanical Dimensions (mm)



Mounting Hole



Circuit Diagram



Electrical Specifications

Rating	21A 14V DC
Contact Resistance	50m ohm Max.
Insulation Resistance	DC 500V 100M ohm Min.
Dielectric Strength	AC 1500V 1 minute
Operation Temperature	-25°C~85°C

Material Specifications

Frame/ Actuator	Black, Nylon 66 (94V-2)
Lens (1,2)	White diffused, PC
LED (1,2)	Green, dependent
Terminals	Silver plated copper/ Brass
Waterproof	IP56