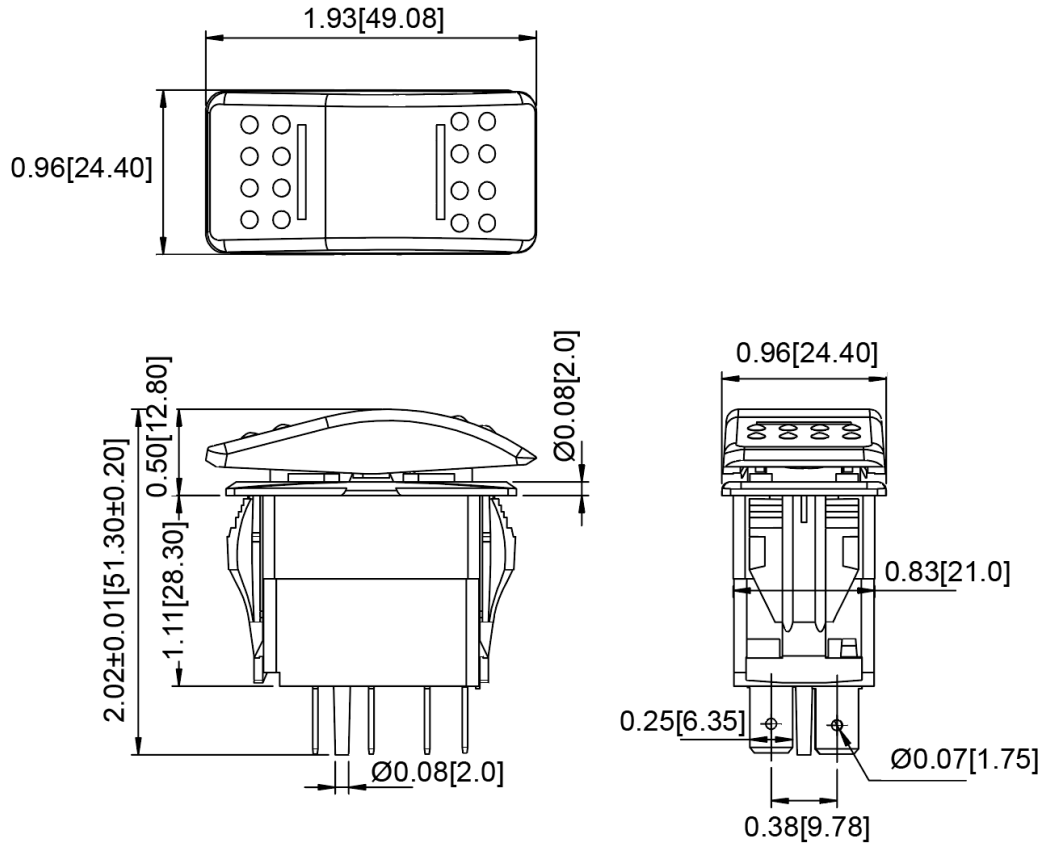
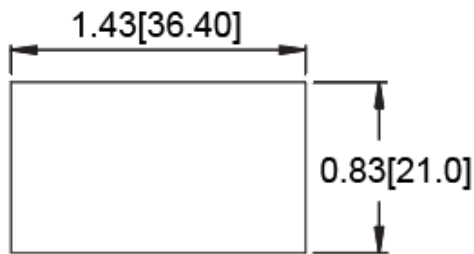


Mechanical Dimensions: Inches [mm]

Tolerances ± 0.012 [0.3] Unless Otherwise Specified



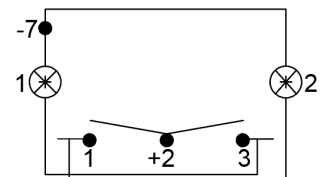
Mounting Hole



Thickness: 0.12 [3.0mm] max

Circuit Diagram

4P SPDT ON-OFF ON (LED-D)



Electrical Specifications

Rating	20A 12V DC, 10A, 24V DC
Contact Resistance	50m ohm Max
Insulation Resistance	DC 500V 100M ohm Min
Dielectric Strength	AC 1500V 1 minute
Operation Temperature	-20°C ~ 65°C

Material Specifications

LED (1,2)	Green
Ingress Protection	IP67

Rev	Date of issue	Revision Notes	Designed	Approved
A	11-08-2023	Initial Drawing	RC	OF