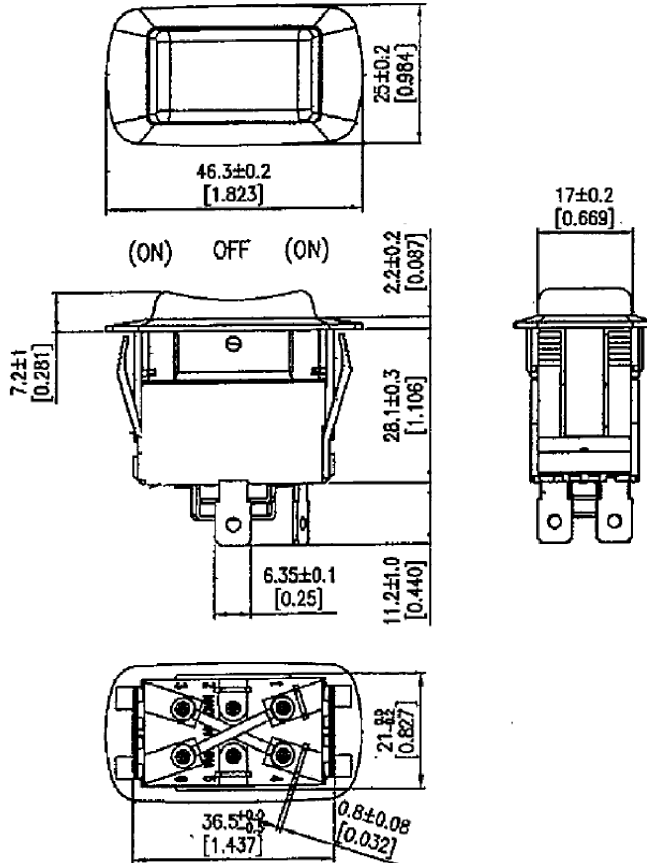
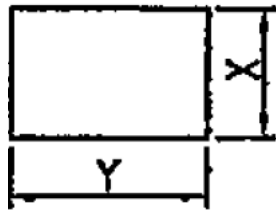


Mechanical Dimensions: Inches [mm]

Tolerances  $\pm 0.012$  [0.3] Unless Otherwise Specified



Mounting Hole

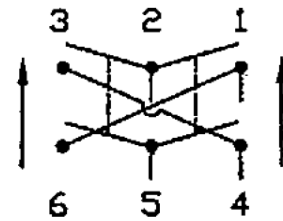


Thickness	X	Y
0.0~0.04 [0.75~1.25]	0.8~0.00 [21.2~0.1]	1.4~0.00 [36.6~0.2]
0.04~0.07 [1.25~2.0]	0.8~0.00 [21.2~0.1]	1.4~0.00 [36.8~0.2]
0.07~0.11 [2.0~3.0]	0.8~0.00 [21.2~0.1]	1.4~0.00 [37.0~0.2]

Thickness: 0.2~0.1[0.75~3.0] max

Circuit Diagram

4P DPDT (ON)-OFF-(ON)



Electrical Specifications

Rating	21A 14VDC, 10A 28VDC
Contact Resistance	50m ohm Max
Insulation Resistance	DC 500V 100M ohm Min
Dielectric Strength	AC 1500V 1 minute
Operation Temperature	-20°C ~ 85°C

Material Specifications

Frame	Black, Nylon 66
Actuator	Black, Nylon 66 + 33%GF

**Rev**    **Date of issue**    **Revision Notes**

**Designed**    **Approved**

A	03-05-2019	Initial Drawing	RC	OH
---	------------	-----------------	----	----