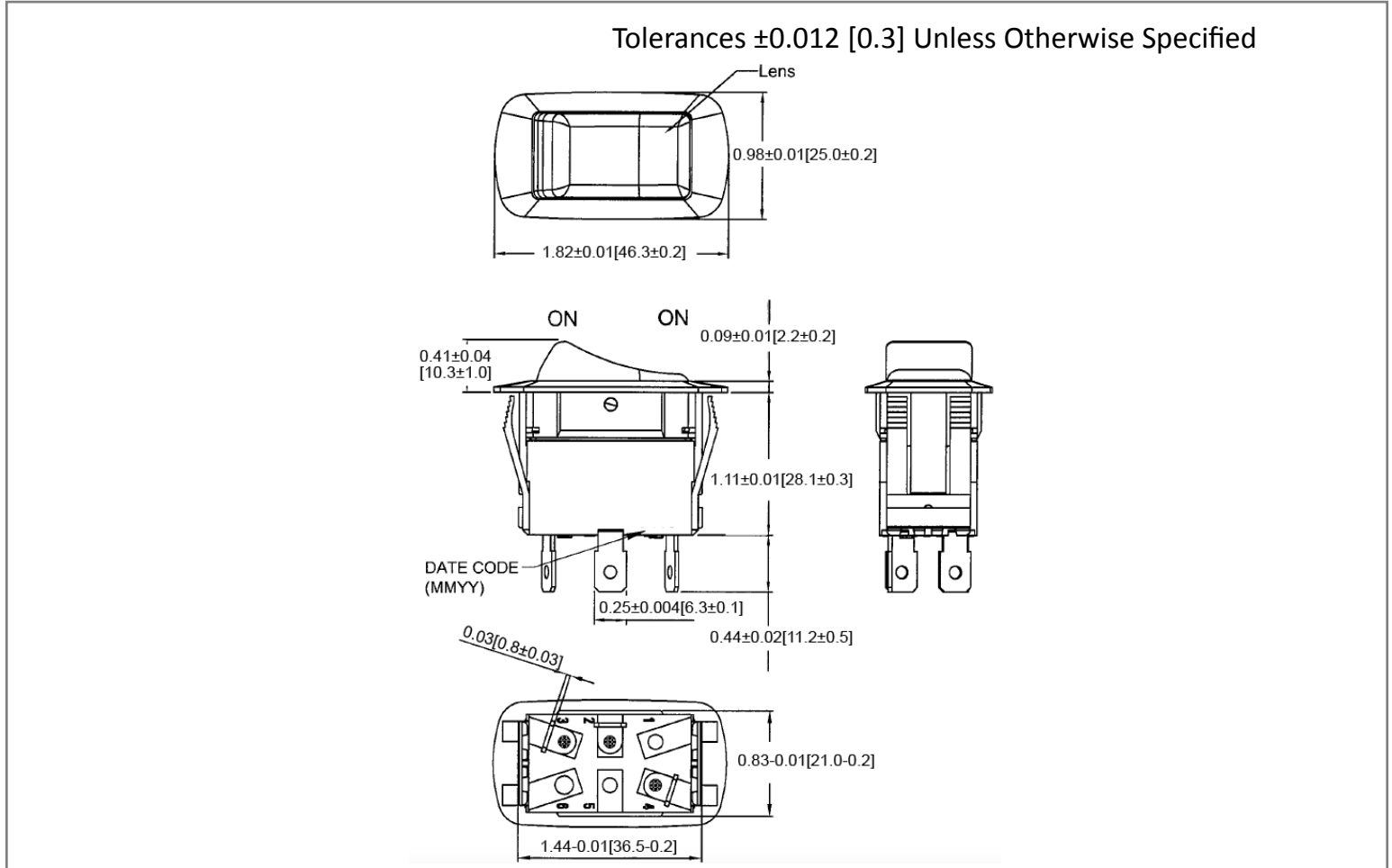
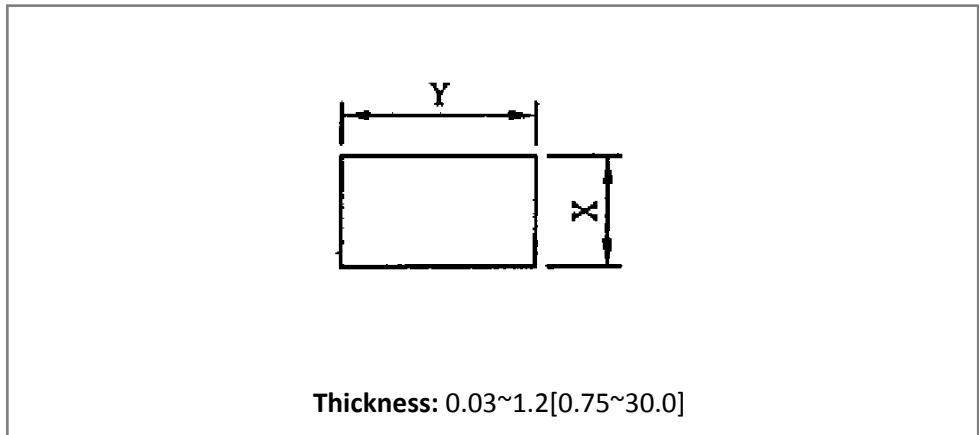


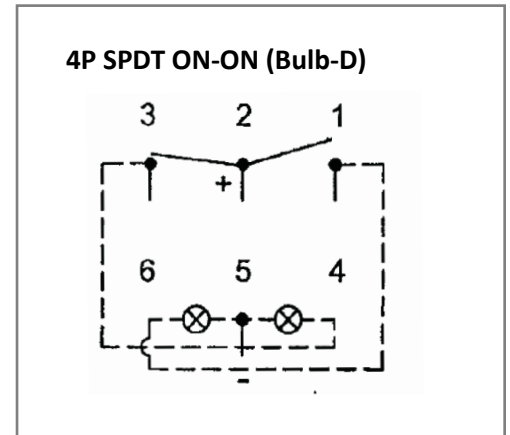
Mechanical Dimensions: Inches [mm]



Mounting Hole



Circuit Diagram



Electrical Specifications

Rating	21A 14V DC	
Contact Resistance	50m ohm Max	
Insulation Resistance	DC 500V 100M ohm Min	
Dielectric Strength	AC 1500V 1minute	
Operation Temperature	-20°C ~ 85°C	

Material Specifications

Frame	Black, Nylon #66
Lamp	Bulb 1: Red, 2: Green
Lens	Lens 1: Red. Lens 2: Green
Actuator	Black, Nylon 66 +33%GF
Ingress Protection	IP56

Rev	Date of issue	Revision Notes	Designed	Approved
B	02-26-2020	Initial Drawing	RC	OF