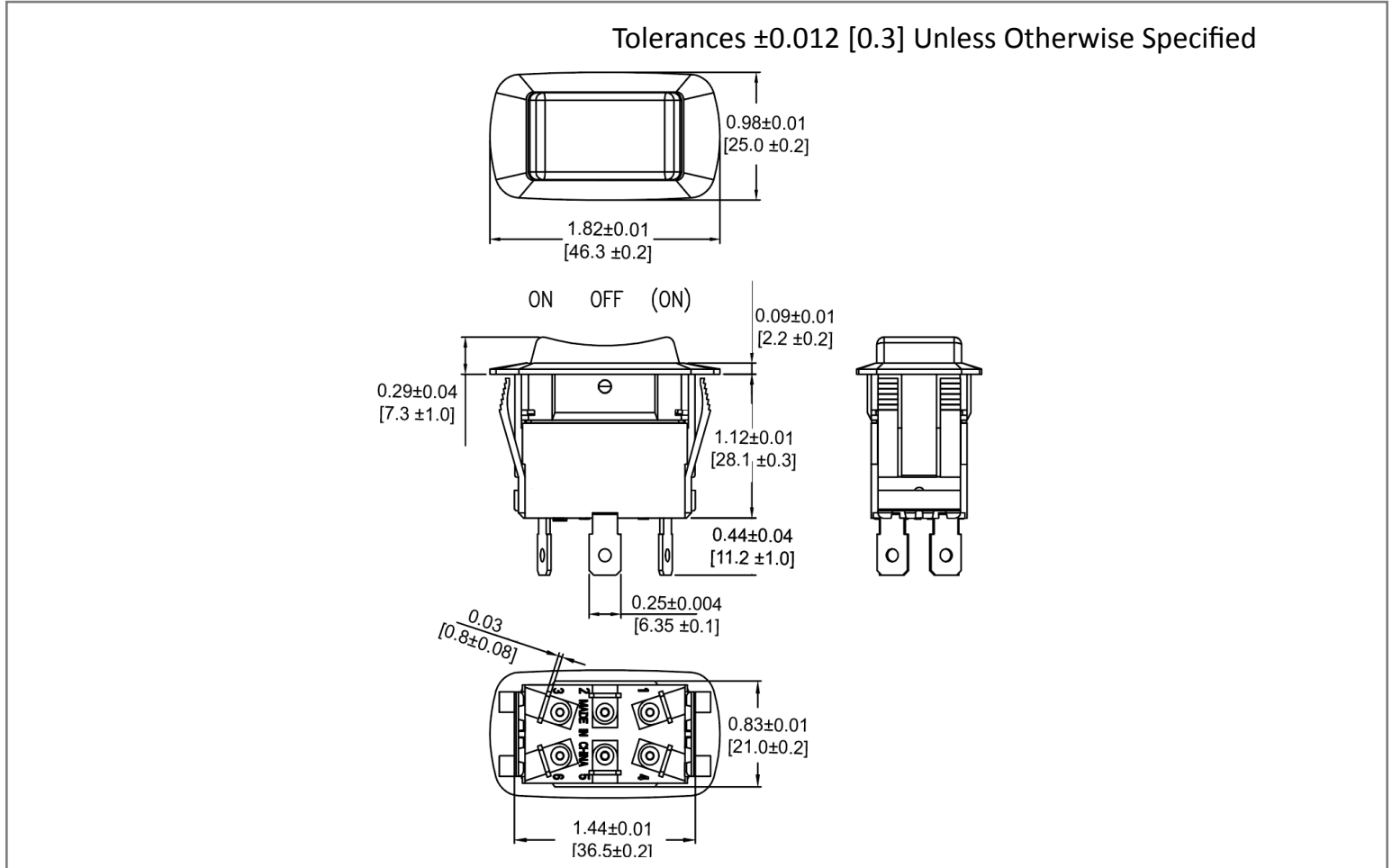
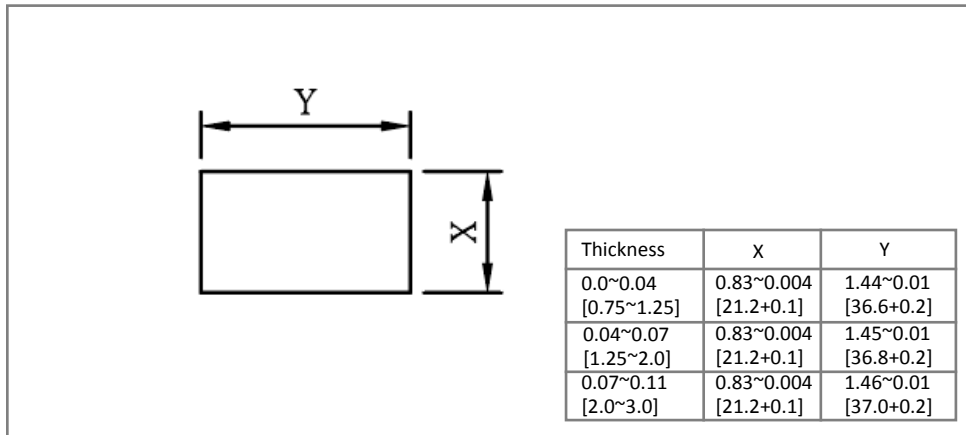


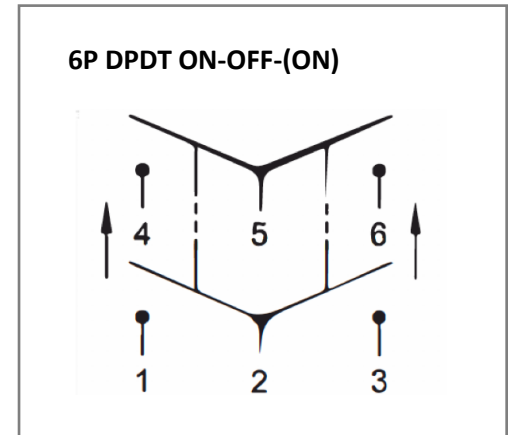
Mechanical Dimensions: Inches [mm]



Mounting Hole



Circuit Diagram



Electrical Specifications

DC Rating	21A 14V DC, 10A 28V DC
AC Rating	16A 125V AC, 10A 277V AC, 3/4HP 125-277V AC, 20A 125V AC, 10A 250V AC16(4)A 125/250V AC
Contact Resistance	50m ohm Max.
Insulation Resistance	DC 500V 100M ohm Min.
Dielectric Strength	AC 1500V 1 minute
Operation Temperature	-20 °C~85°C

Material Specifications

Frame	Black, Nylon 66
Actuator	Black, Nylon 66+33%GF
Ingress Protection	IP56

Rev	Date of issue	Revision Notes	Designed	Approved
A	01-20-2022	Initial Drawing	RC	OF