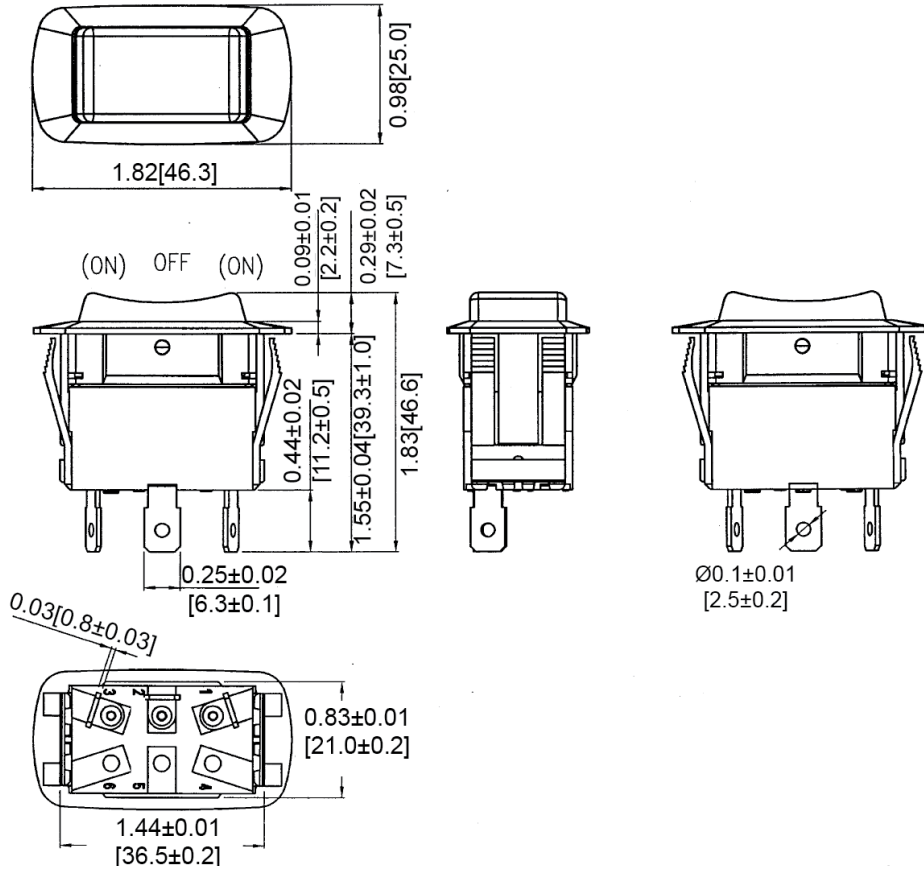
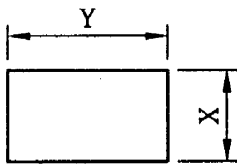


Mechanical Dimensions: Inches [mm]

Tolerances  $\pm 0.012$  [0.3] Unless Otherwise Specified



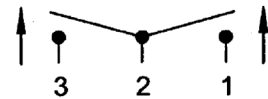
Mounting Hole



Thickness	X	Y
0.0~0.04 [0.75~1.25]	0.83+0.00 [21.2+0.1]	1.44~0.01 [36.6+0.2]
0.04~0.07 [1.25-2.0]	0.83+0.00 [21.2+0.1]	1.45~0.01 [36.8+0.2]
0.07~0.11 [2.0~3.0]	0.83+0.00 [21.2+0.1]	1.46~0.01 [37.0+0.2]

Circuit Diagram

3P SPDT (ON)-OFF-(ON)



Electrical Specifications

DC Rating	21A 14V DC, 10A 28V DC
AC Rating	16A 125V AC, 10A 277V AC, 3/4HP 125-277V AC, 20A 125V AC, 10A 250V AC16(4)A 125/250V AC
Contact Resistance	50m ohm Max
Insulation Resistance	DC 500V 100M ohm Min
Dielectric Strength	AC 1500V 1 minute

Material Specifications

Frame	Black, Nylon 66
Actuator	Black, Nylon 66+33%GF
Ingress Protection	IP56
Operation Temperature	-20 C~85 C

Rev	Date of issue	Revision Notes	Designed	Approved
A	01-15-2021	Initial Drawing	RC	OF