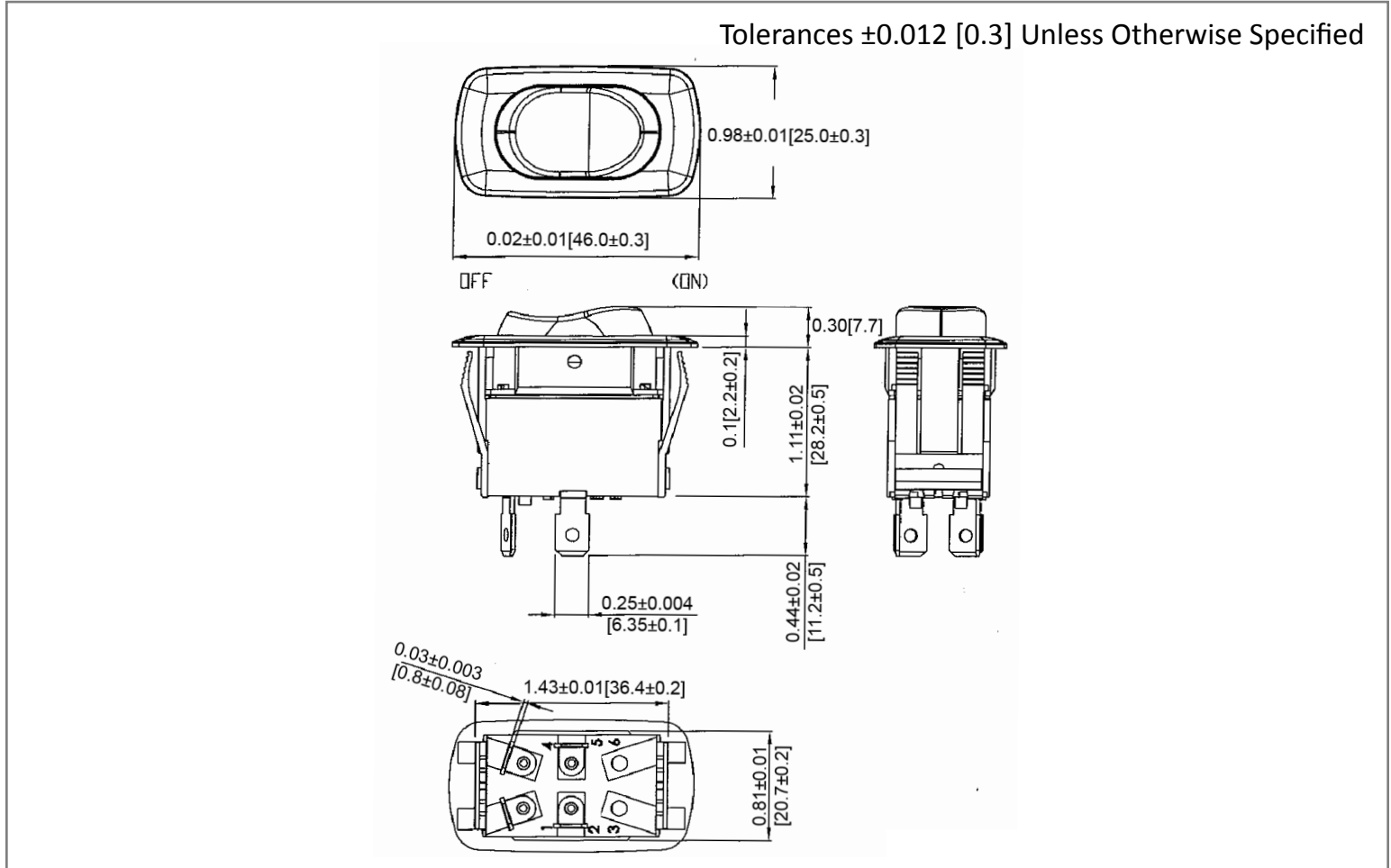
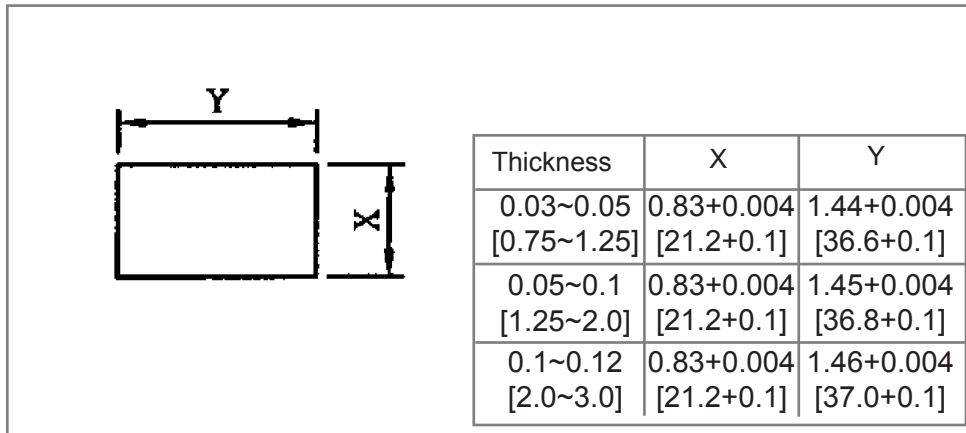


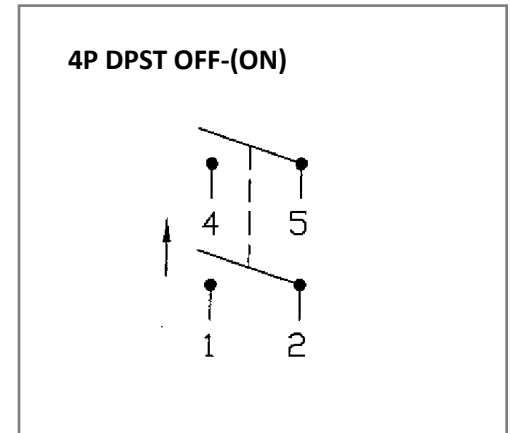
## Mechanical Dimensions: Inches [mm]



## Mounting Hole



## Circuit Diagram



## Electrical Specifications

DC Rating	21A 14V DC, 10A 28V DC	
AC Rating	18A 125V AC, 10A 277V AC, 3/4HP 277V AC16(4)A 125/250V AC	
Contact Resistance	50m ohm Max	
Insulation Resistance	DC 500V 100M ohm Min	
Dielectric Strength	AC 1500V 1 minute	

## Material Specifications

Frame	Black, Nylon 66
Actuator	Black, Nylon 66
Ingress Protection	IP56
Operation Temperature	-20°C~85°C

**Rev**    **Date of issue**    **Revision Notes**

**Designed**    **Approved**

B	06-08-2021	Initial Drawing	RC	OF
---	------------	-----------------	----	----