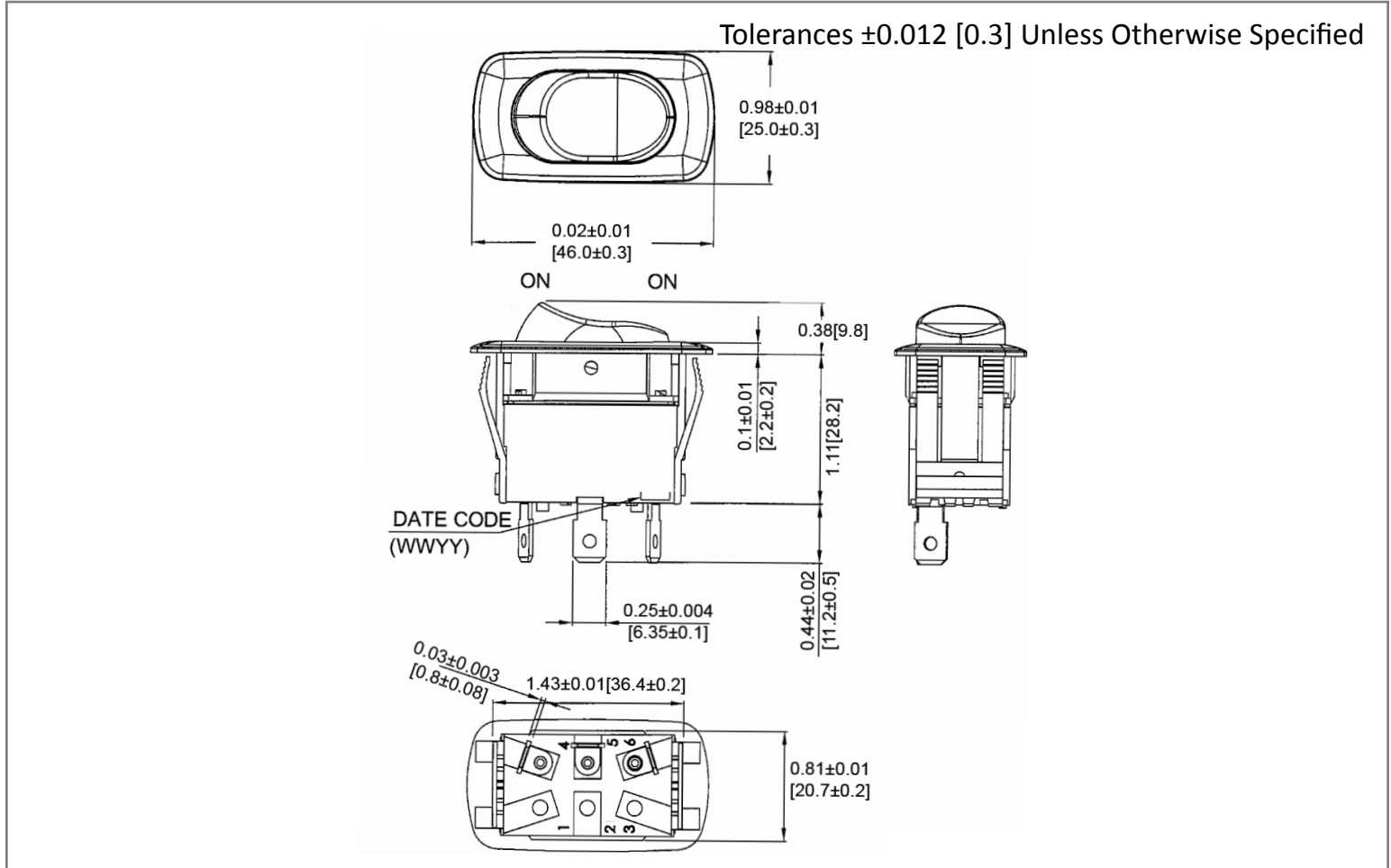
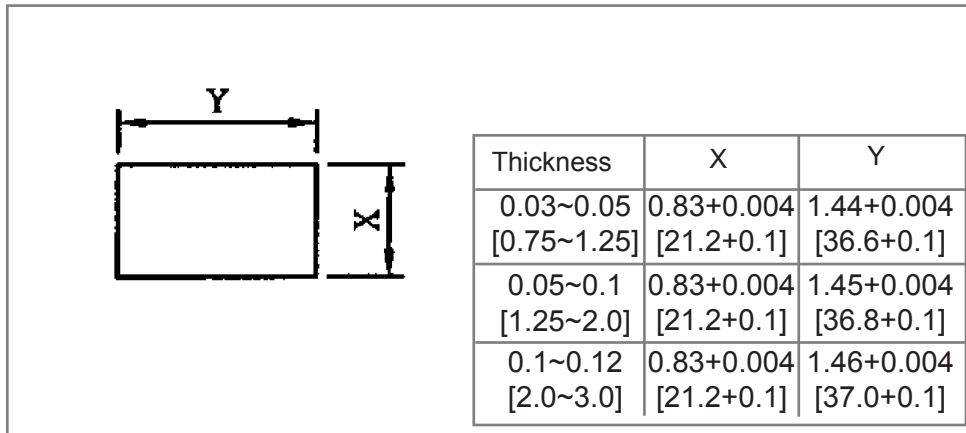


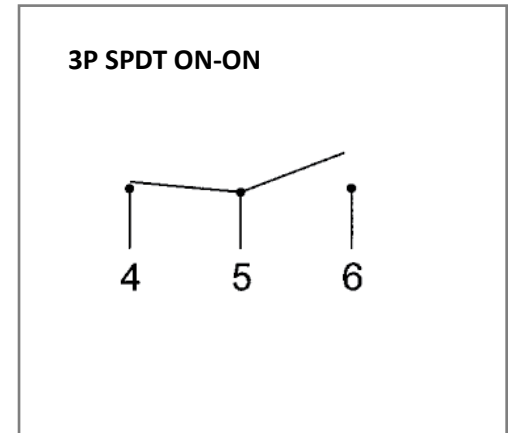
## Mechanical Dimensions: Inches [mm]



## Mounting Hole



## Circuit Diagram



## Electrical Specifications

DC Rating	21A 14V DC, 10A 28V DC	
AC Rating	16A 125V AC, 10A 277V AC, 3/4HP 125-277V AC16(4)A 125/250V AC	
Contact Resistance	50m ohm Max	
Insulation Resistance	DC 500V 100M ohm Min	
Dielectric Strength	AC 1500V 1 minute	

## Material Specifications

Frame	Black, Nylon 66
Actuator	Black, Nylon 66
Ingress Protection	IP56
Printed	White, Hot Stamping
Operation Temperature	-20°C~85°C

Rev	Date of issue	Revision Notes	Designed	Approved
B	06-08-2021	Initial Drawing	RC	OF