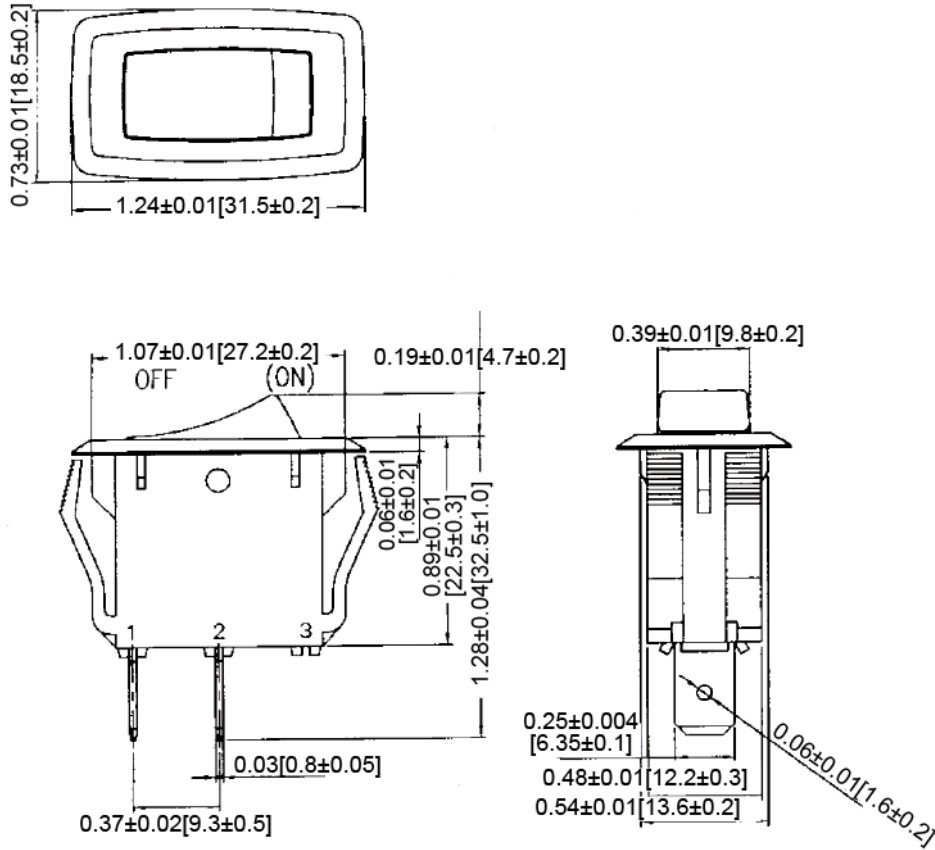
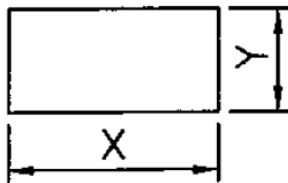


**Mechanical Dimensions: Inches [mm]**

Tolerances  $\pm 0.012$  [0.3] Unless Otherwise Specified



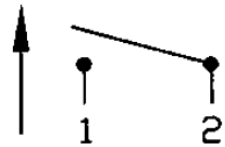
**Mounting Hole**



| Thickness      | X              | Y              |
|----------------|----------------|----------------|
| 0.1 [0.75~3.0] | 1.0 [27.6-0.1] | 0.5 [13.8+0.1] |
| 0.1 [3.0~4.0]  | 1.0 [27.8-0.1] | 0.5 [13.8+0.1] |
| 0.1 [4.0~5.0]  | 1.1 [28.0-0.1] | 0.5 [13.8+0.1] |

**Circuit Diagram**

2P SPST OFF-(ON)



**Electrical Specifications**

|                              |  |
|------------------------------|--|
| <b>DC Rating</b>             | 16A 12V DC, 10A 28V DC                                     |
| <b>AC Rating</b>             | 20A 125V AC 1/3HP, 16A 250V AC 1/2HP<br>16(4)A 125/250V AC |
| <b>Contact Resistance</b>    | 50m ohm Max  |
| <b>Insulation Resistance</b> | DC 500V 100M ohm Min                                       |
| <b>Dielectric Strength</b>   | AC 1500V 1minute   |

**Material Specifications**

|                              |                  |
|------------------------------|------------------|
| <b>Frame</b>                 | Nylon#66, Black. |
| <b>Actuator</b>              | Nylon#66, Black. |
| <b>Operation Temperature</b> | -25°C~85°C       |

| Rev | Date of issue | Revision Notes  | Designed | Approved |
|-----|---------------|-----------------|----------|----------|
| B   | 02-26-2020    | Initial Drawing | RC       | OF       |