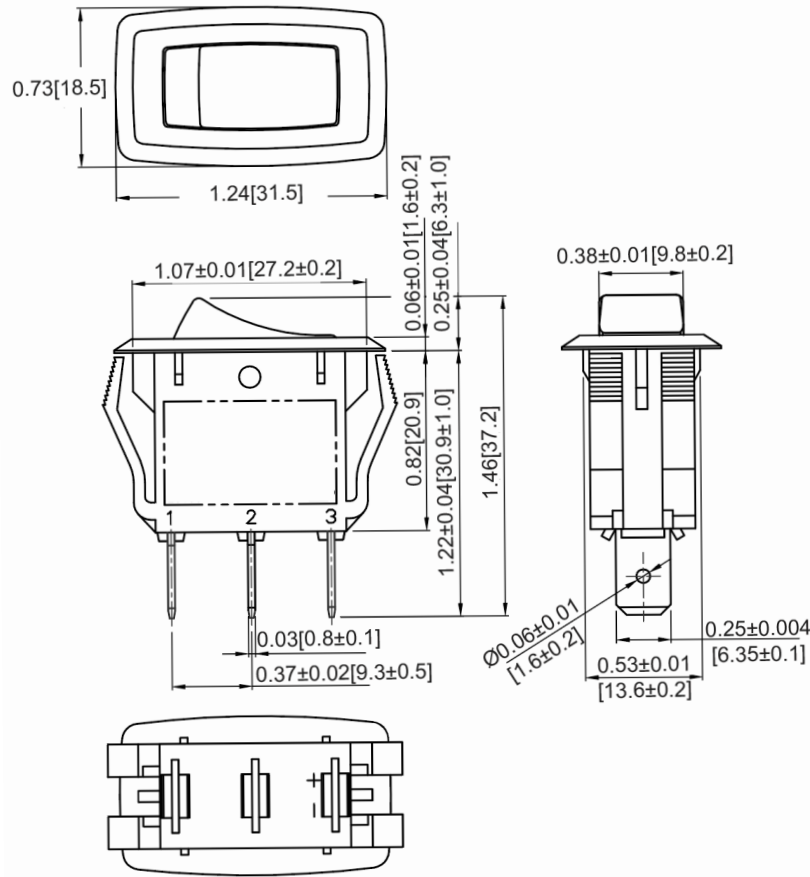
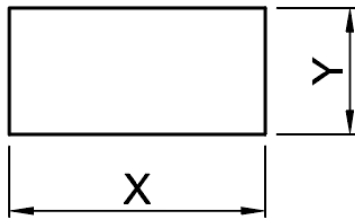


Mechanical Dimensions: Inches [mm]

Tolerances  $\pm 0.012$  [0.3] Unless Otherwise Specified



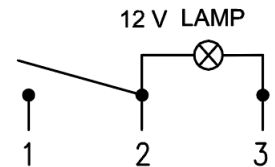
Mounting Hole



Thickness	X	Y
0.03~0.12 [0.75~3.0]	1.09-0.004 [27.6-0.1]	0.54~0.004 [13.8+0.1]
0.12~0.16 [3.0-4.0]	1.10-0.004 [27.8-0.1]	0.54~0.004 [13.8+0.1]
0.16~0.2 [4.0-5.0]	1.10-0.004 [28.0-0.1]	0.54~0.004 [13.8+0.1]

Circuit Diagram

3P SPST OFF-ON (LED-D)



Electrical Specifications

Rating	16A 12V DC	
Contact Resistance	50m ohm Max	
Insulation Resistance	DC 500V 100M ohm Min	
Dielectric Strength	AC 1500V 1 minute	
Operation Temperature	-20°C~85°C	

Material Specifications

Frame	Black, Nylon 66
Actuator	Yellow, PC

Rev	Date of issue	Revision Notes	Designed	Approved
B	07-13-2021	Initial Drawing	RC	OF