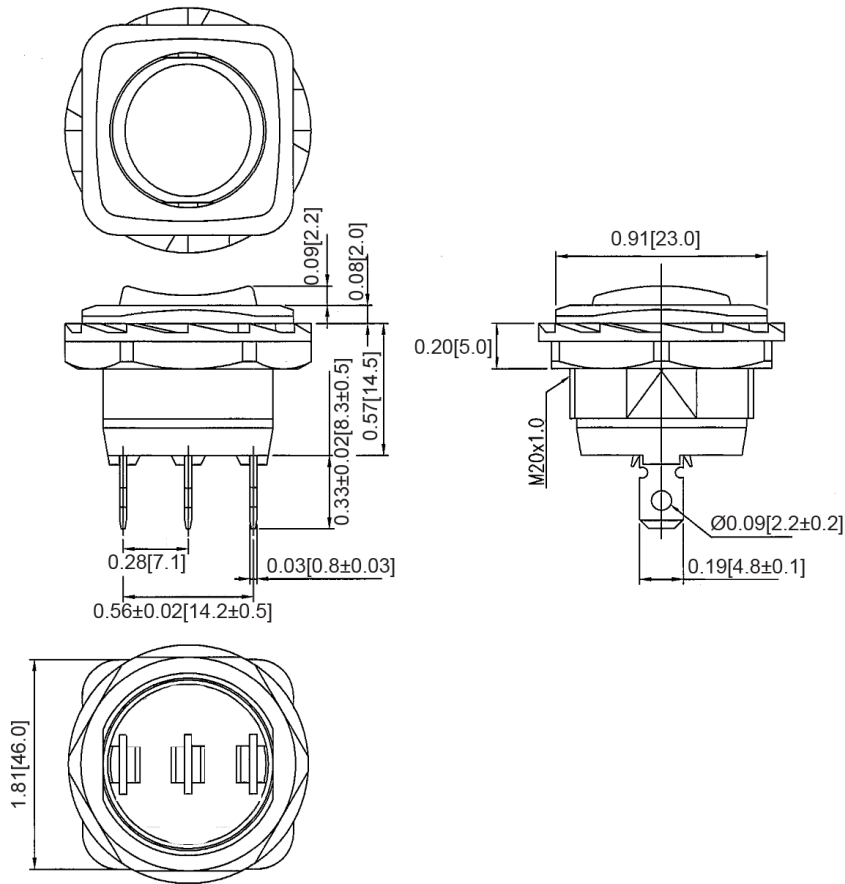
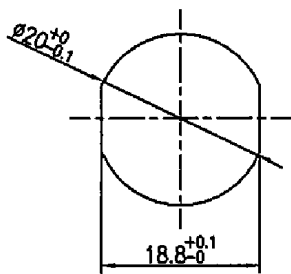


## Mechanical Dimensions: Inches [mm]

Tolerances  $\pm 0.012$  [0.3] Unless Otherwise Specified

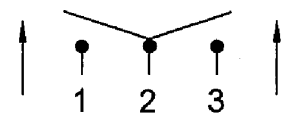


## Mounting Hole



## Circuit Diagram

3P SPDT (ON)-OFF-(ON)



## Electrical Specifications

DC Rating	20A 14V DC
AC Rating	16A 125V AC, 10A 250V AC 16(4)A 125/250V AC
Contact Resistance	50m ohm Max.
Insulation Resistance	DC 500V 100M ohm Min
Dielectric Strength	AC 1500V 1 minute

## Material Specifications

Frame	Black, Nylon 66 +33%GF
Actuator	Black, Nylon 66

**Rev**    **Date of issue**    **Revision Notes**

**Designed**    **Approved**

A	03-19-2021	Initial Drawing	RC	OF
---	------------	-----------------	----	----