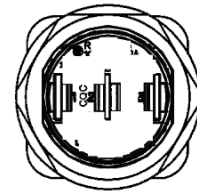
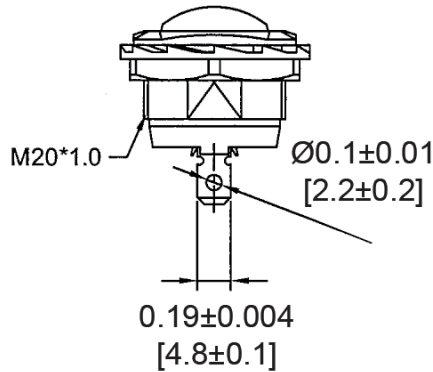
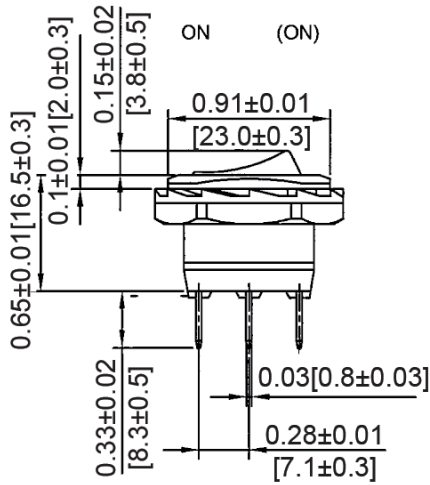
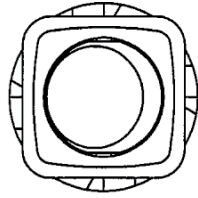
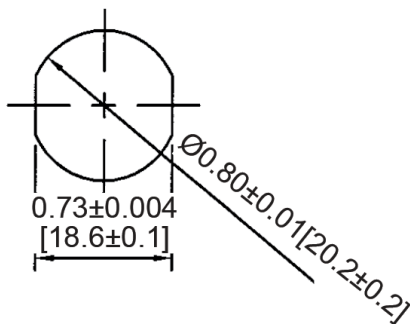


**Mechanical Dimensions: Inches [mm]**

Tolerances  $\pm 0.012$  [0.3] Unless Otherwise Specified

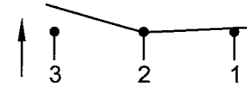


**Mounting Hole**



**Circuit Diagram**

3P SPDT ON-(ON)



**Electrical Specifications**

|                              |  |
|------------------------------|--|
| <b>Rating</b>                | 16A 125V AC, 10A 250V AC<br>16(4)A 125/250V AC |
| <b>Contact Resistance</b>    | 50m ohm Max                                    |
| <b>Insulation Resistance</b> | DC 500V 100M ohm Min                           |
| <b>Dielectric Strength</b>   | AC 1500V 1 minute                              |
| <b>Operation Temperature</b> | -25°C~85°C                                     |

**Material Specifications**

|                 |                        |
|-----------------|------------------------|
| <b>Frame</b>    | Black, Nylon 66 +33%GF |
| <b>Actuator</b> | Nylon 66, Black        |

| Rev | Date of issue | Revision Notes  | Designed | Approved |
|-----|---------------|-----------------|----------|----------|
| B   | 12-01-2021    | Initial Drawing | RC       | OF       |