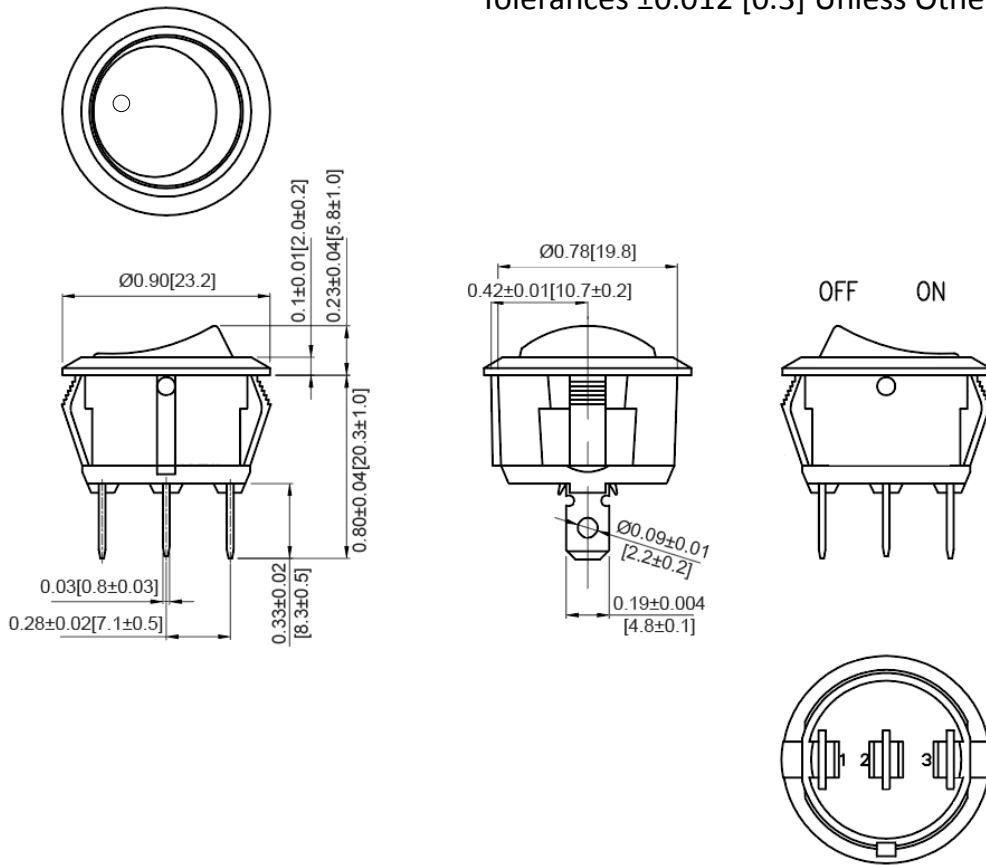
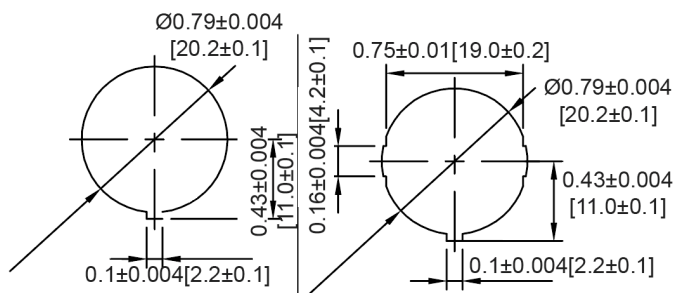


Mechanical Dimensions: Inches [mm]

Tolerances ± 0.012 [0.3] Unless Otherwise Specified



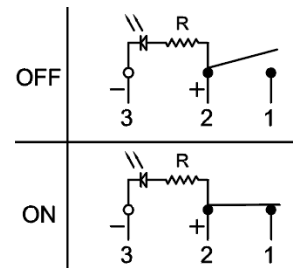
Mounting Hole



Thickness: $0.1 \sim 0.12$ [2.0 \sim 3.0] Thickness: $0.03 \sim 0.12$ [0.7 \sim 3.0]

Circuit Diagram

3P SPST ON-OFF (LED dependent)



Electrical Specifications

| | |
|-----------------------|----------------------|
| Rating | 20A 12VDC |
| Contact Resistance | 50m ohm Max |
| Insulation Resistance | DC 500V 100M ohm Min |
| Dielectric Strength | AC 1500V 1 minute |
| Operation Temperature | -25°C ~ 85°C |

Material Specifications

| | |
|-------------------|-----------------|
| Frame Material | Black, Nylon 66 |
| Actuator Material | Black, Nylon 66 |
| LED | Blue |

| Rev | Date of issue | Revision Notes | Designed | Approved |
|-----|---------------|-----------------|----------|----------|
| A | 01-25-2024 | Initial Drawing | RC | OF |