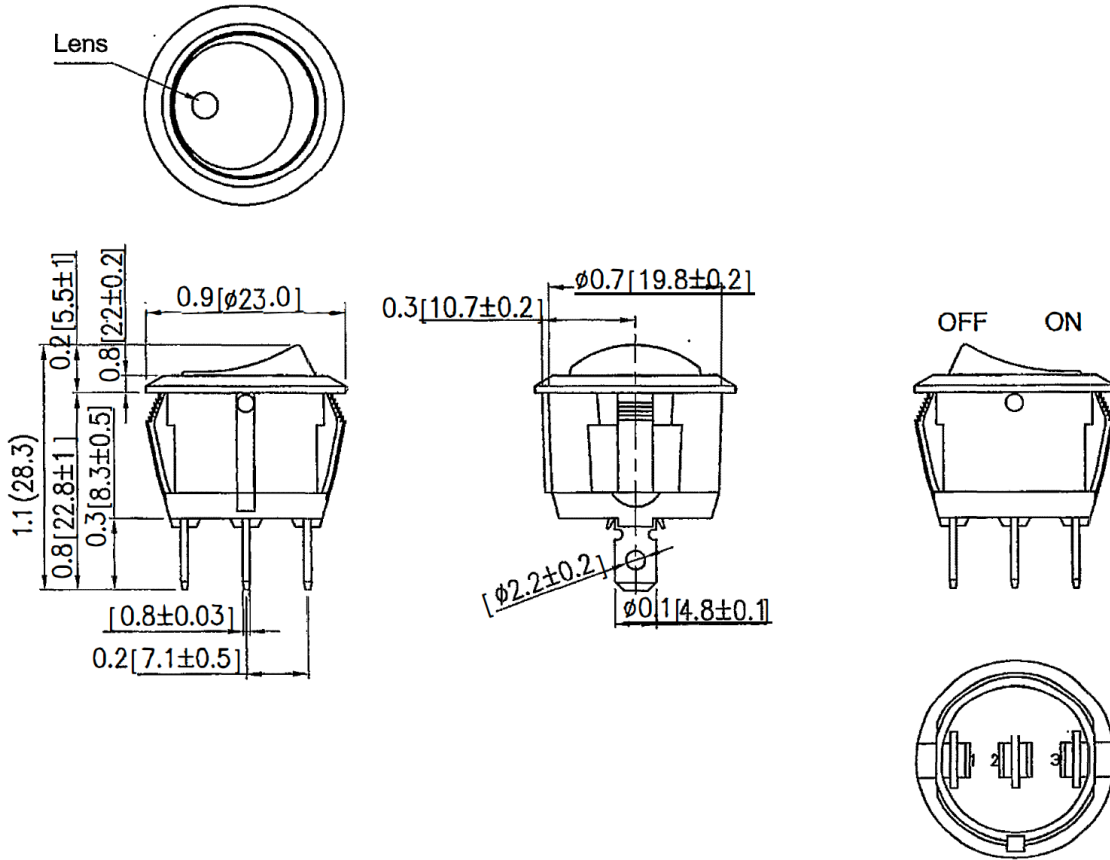
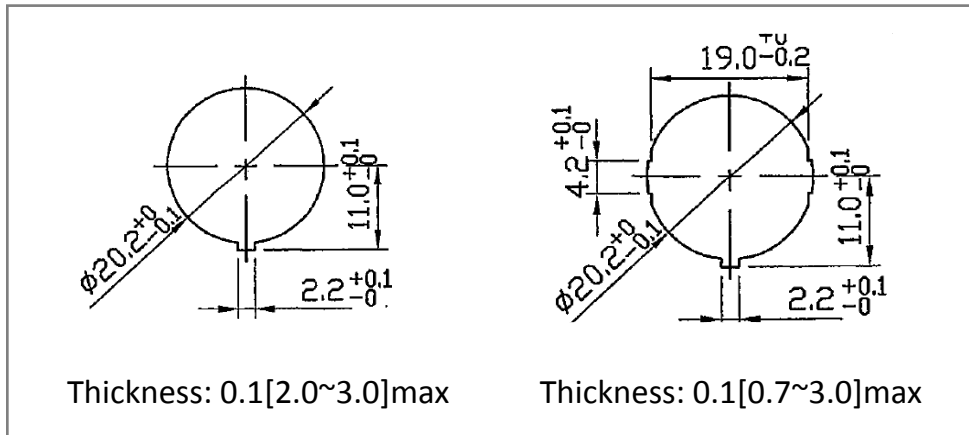


Mechanical Dimensions: Inches [mm]

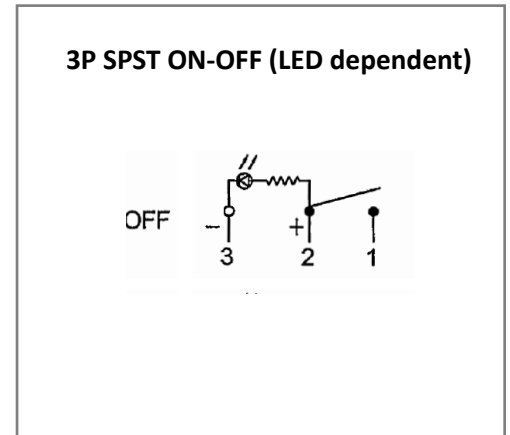
Tolerances ± 0.012 [0.3] Unless Otherwise Specified



Mounting Hole



Circuit Diagram



Electrical Specifications

| | | | |
|-----------------------|-----------------------|-----------------------|-----------------------|
| Rating | 20A 14VDC | Frame Actuator | Nylon#66, Black |
| Contact Resistance | 50m ohm Max. | Lens | PC, Blue |
| Insulation Resistance | DC 500V 100M ohm Min. | Insulation Resistance | DC 500V 100M ohm Min. |
| Dielectric Strength | AC 1500V 1 minute | | |
| Operation Temperature | -25°C-85°C | | |

| Rev | Date of issue | Revision Notes | Designed | Approved |
|-----|---------------|-----------------|----------|----------|
| A | 10-09-2019 | Initial Drawing | RC | OF |