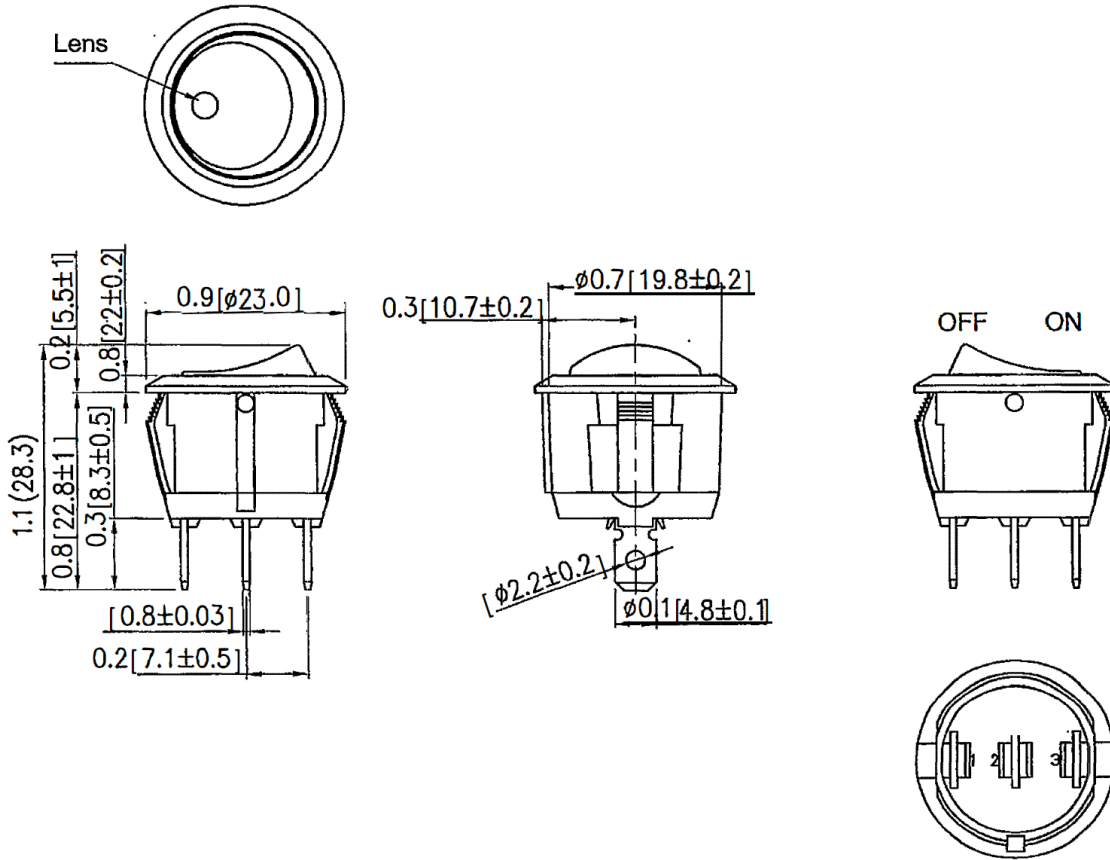
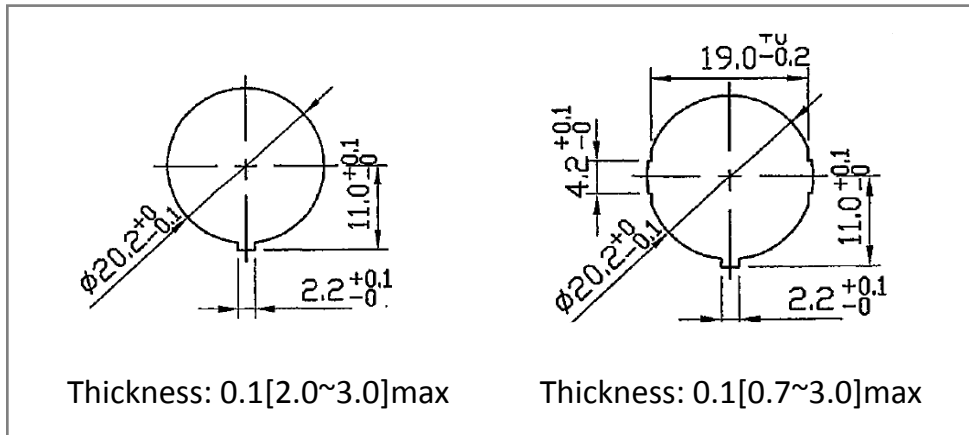


**Mechanical Dimensions: Inches [mm]**

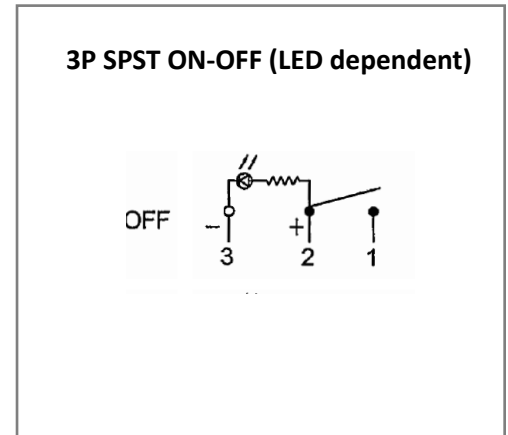
Tolerances  $\pm 0.012$  [0.3] Unless Otherwise Specified



**Mounting Hole**



**Circuit Diagram**



**Electrical Specifications**

Rating	20A 14VDC	Frame   Actuator	Nylon#66, Black
Contact Resistance	50m ohm Max.	Lens	PC, Red clear
Insulation Resistance	DC 500V 100M ohm Min.	Insulation Resistance	DC 500V 100M ohm Min.
Dielectric Strength	AC 1500V 1 minute		
Operation Temperature	-25° C-85° C		

Rev	Date of issue	Revision Notes	Designed	Approved
A	10-09-2019	Initial Drawing	RC	OF