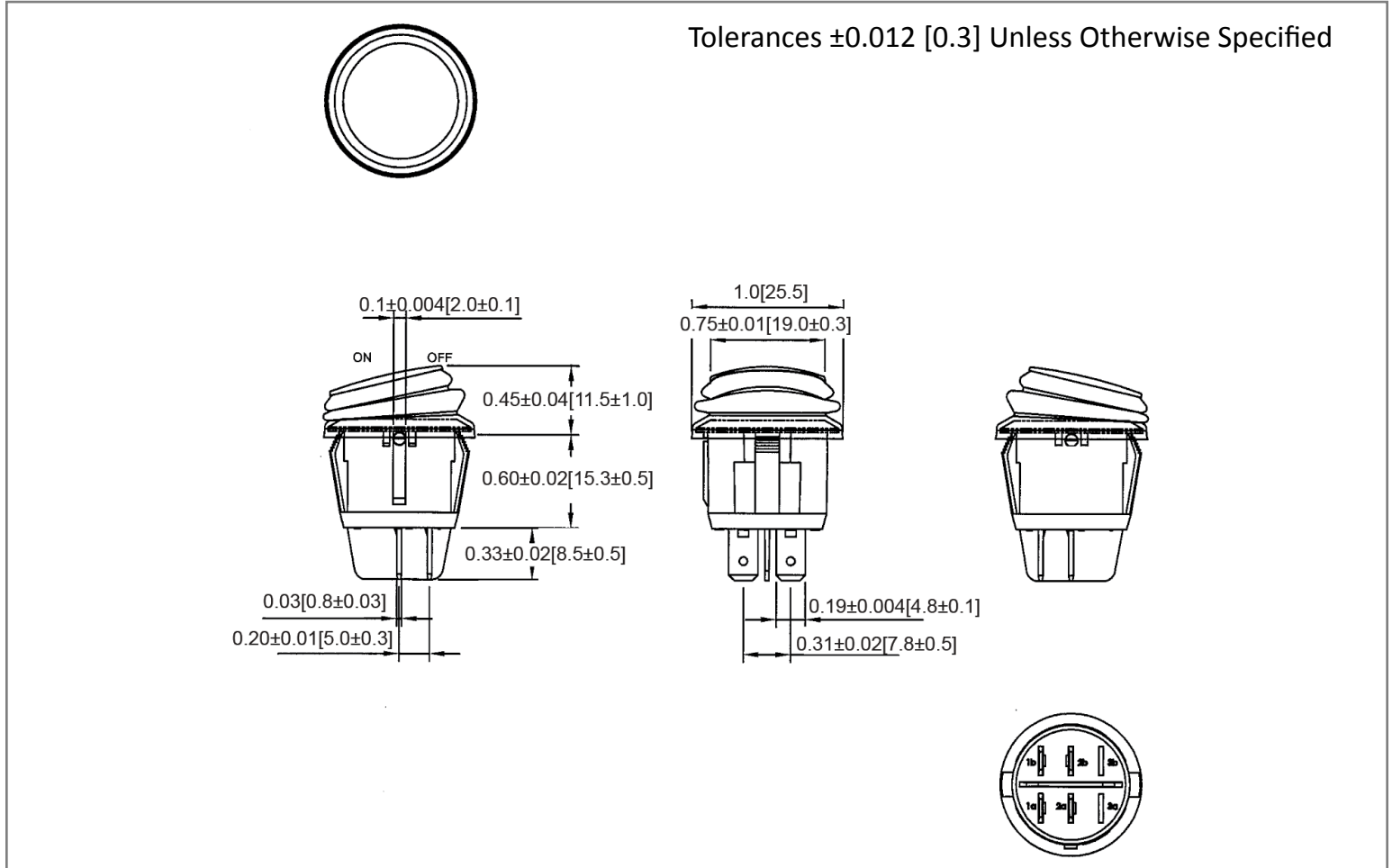
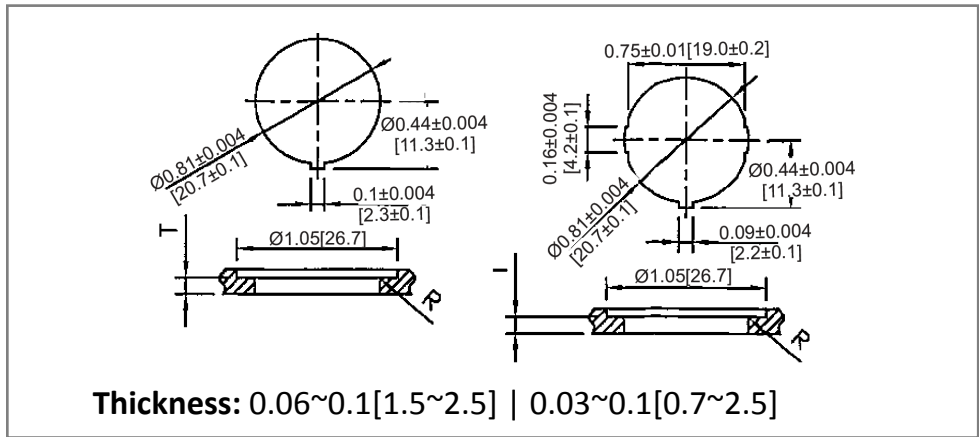


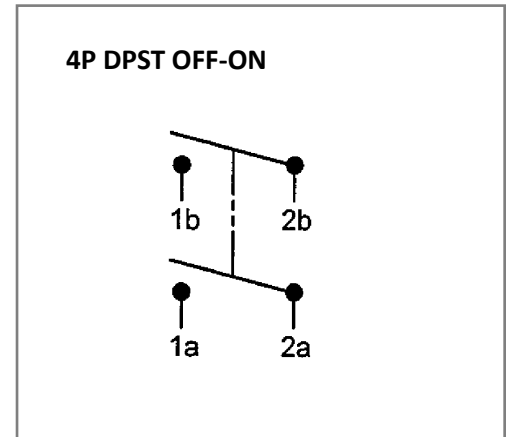
Mechanical Dimensions: Inches [mm]



Mounting Hole



Circuit Diagram



Electrical Specifications

| | | |
|-----------------------|---|--|
| DC Rating | 10A 28V DC | |
| AC Rating | 16A 125V AC, 10A 250V AC 10(4)A 125/250V c | |
| Contact Resistance | 50m ohm Max | |
| Insulation Resistance | DC 500V 100M ohm Min | |
| Dielectric Strength | AC 1500V 1 minute | |

Material Specifications

| | |
|-----------------------|--------------------------|
| Frame | Black, Nylon #66 (94-V2) |
| Actuator | Black, PC (94-V2) |
| Ingress Protection | Black, Silicone IP65 |
| Operation Temperature | -25°C~85°C |

| Rev | Date of issue | Revision Notes | Designed | Approved |
|-----|---------------|-----------------|----------|----------|
| B | 06-08-2021 | Initial Drawing | RC | OF |