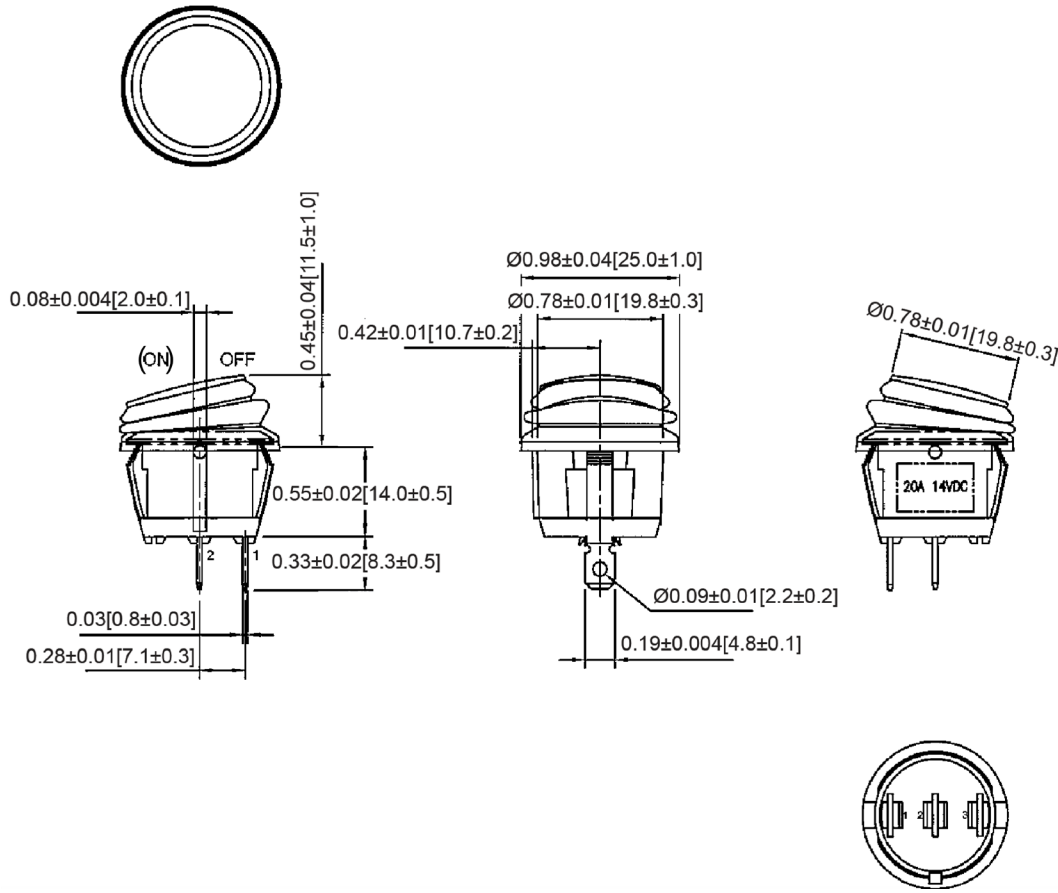
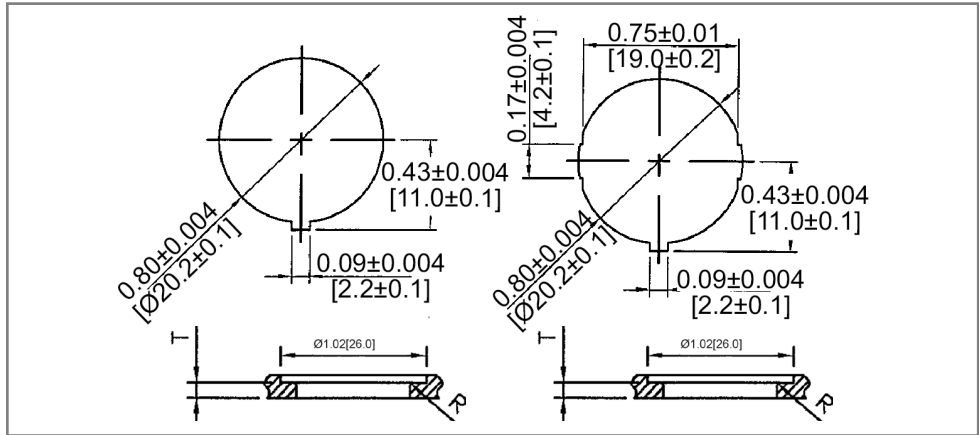


Mechanical Dimensions: Inches [mm]

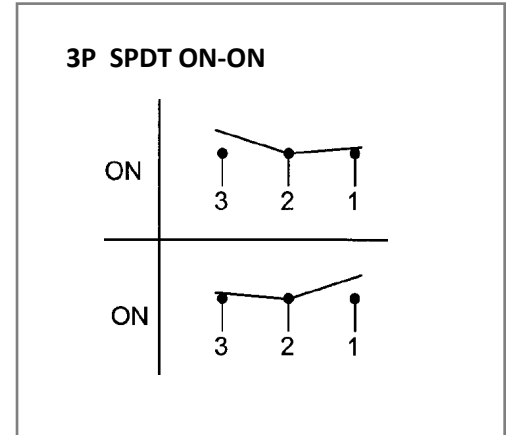
Tolerances  $\pm 0.012$  [0.3] Unless Otherwise Specified



Mounting Hole



Circuit Diagram



Electrical Specifications

DC Rating	20A 14V DC, 10A 28V DC
AC Rating	16A 125V AC, 10A 250V AC 10(4)A 125/250V AC
Contact Resistance	50m ohm Max
Dielectric Strength	AC 1500V 1Min
Insulation Resistance	DC 500V 100M ohm Min
Operation Temperature	-25°C~85°C

Material Specifications

Frame	Nylon 66 (94-V2)
Actuator	PC (94-V2)
Ingress Protection	Black, Silicone
Terminals	Silver Plated, Copper Alloy
Ingress Protection	IP65

Rev	Date of issue	Revision Notes	Designed	Approved
B	07-22-2021	Initial Drawing	RC	OF