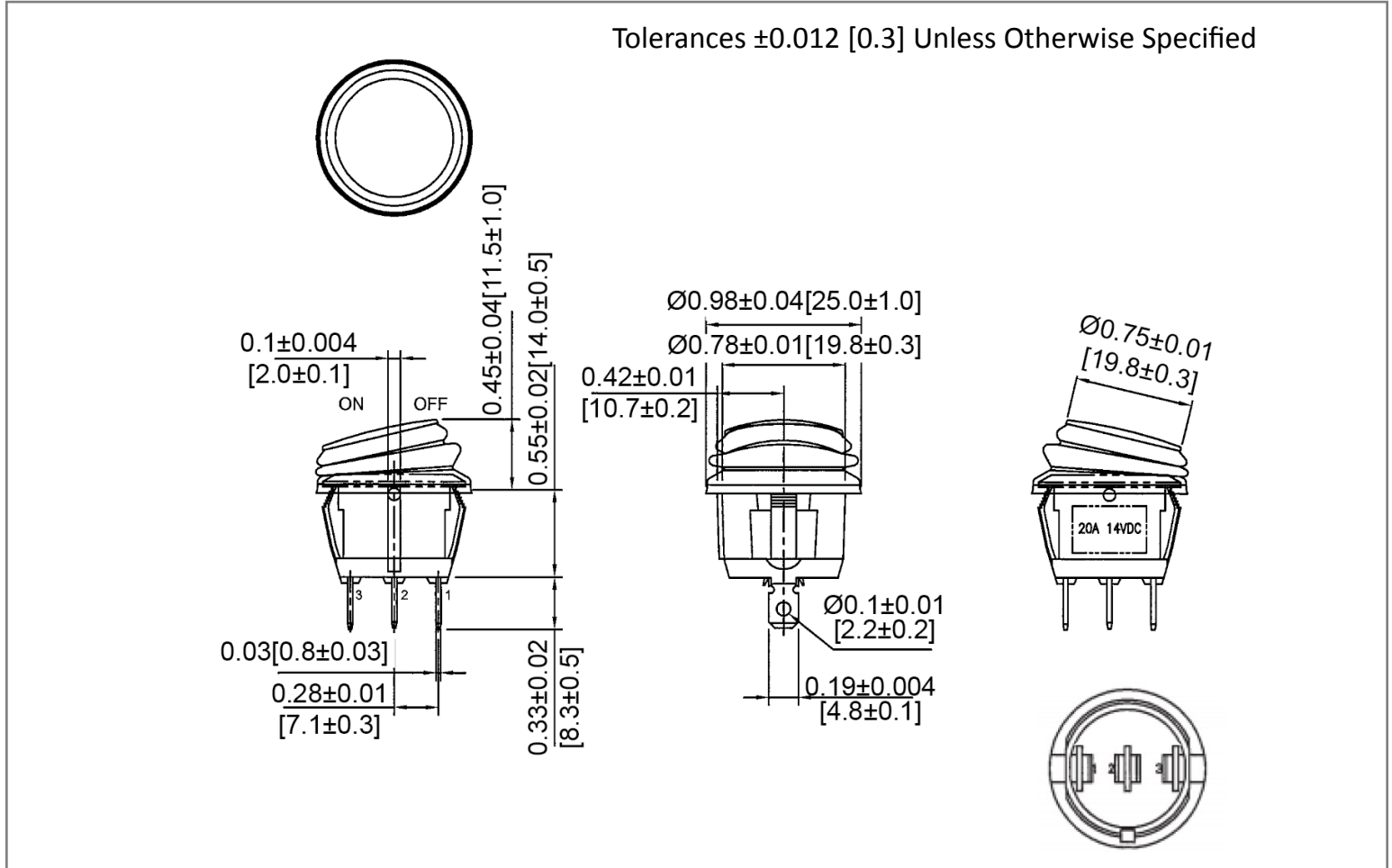
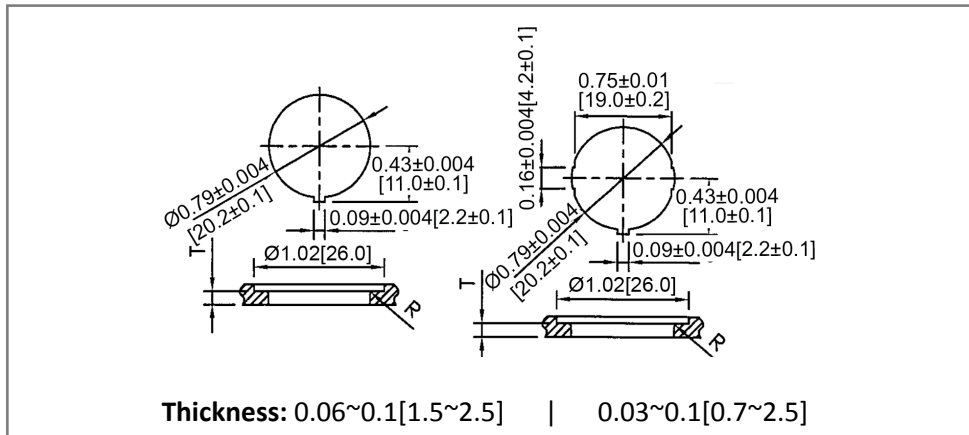


**Mechanical Dimensions: Inches [mm]**

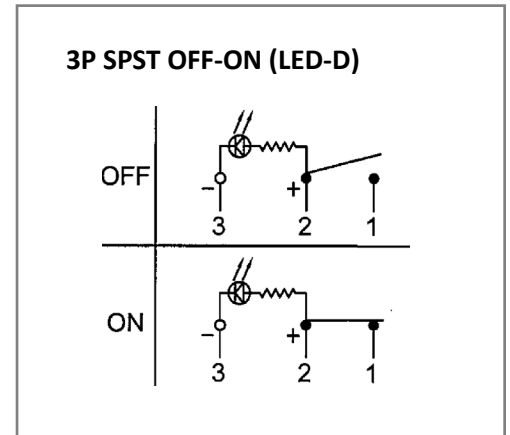
Tolerances  $\pm 0.012$  [0.3] Unless Otherwise Specified



**Mounting Hole**



**Circuit Diagram**



**Electrical Specifications**

|                       |                      |  |
|-----------------------|----------------------|--|
| Rating                | 20A 14V DC           |  |
| Contact Resistance    | 50m ohm Max          |  |
| Insulation Resistance | DC 500V 100M ohm Min |  |
| Dielectric Strength   | AC 1500V 1 minute    |  |
| Operation Temperature | -25°C ~ 85°C         |  |

**Material Specifications**

|                    |                             |
|--------------------|-----------------------------|
| Frame              | Black, Nylon 66 (94-V2)     |
| Actuator           | Green Clear, PC (94-V2)     |
| Ingress Protection | Black, Silicone IP65        |
| Terminals          | Silver plated, Copper Alloy |
| LED                | Green (Dependent)           |

| Rev | Date of issue | Revision Notes  | Designed | Approved |
|-----|---------------|-----------------|----------|----------|
| A   | 07-16-2021    | Initial Drawing | RC       | OF       |