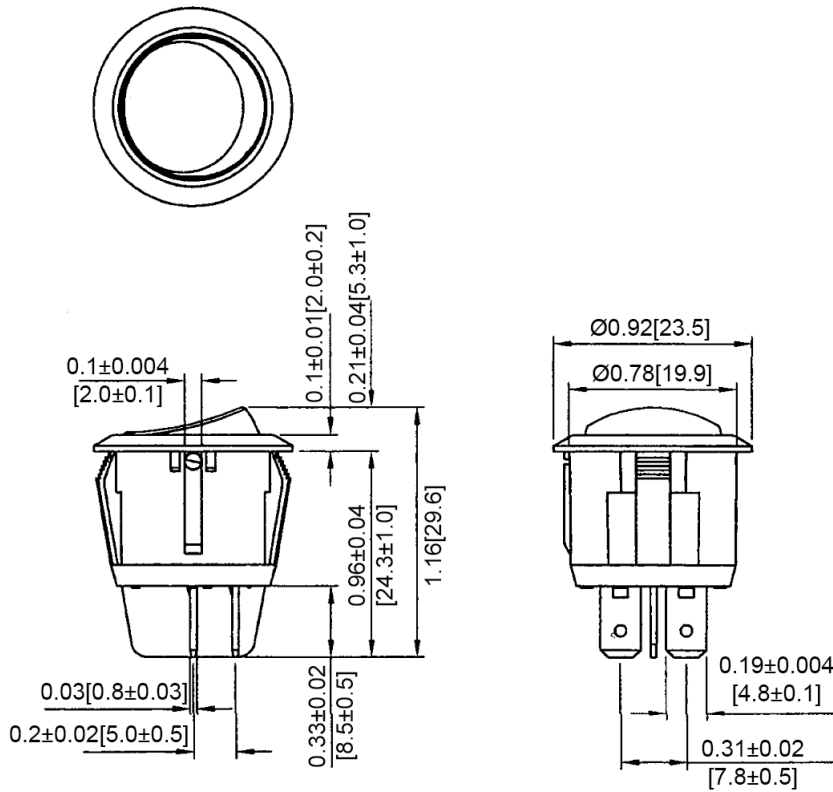
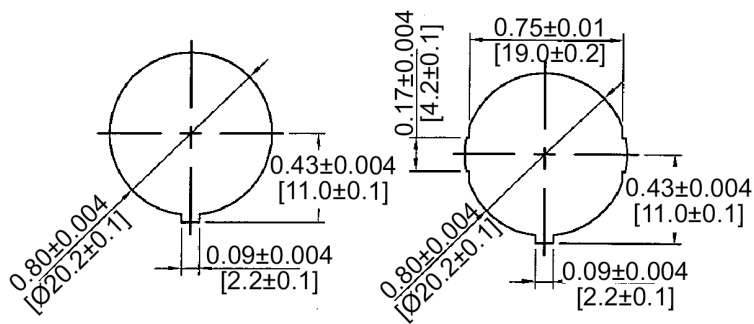


Mechanical Dimensions: Inches [mm]

Tolerances ± 0.012 [0.3] Unless Otherwise Specified



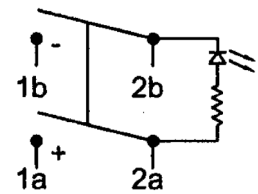
Mounting Hole



Thickness: $0.1 \sim 0.12$ [$2.0 \sim 3.0$] | $0.03 \sim 0.12$ [$0.7 \sim 3.0$]

Circuit Diagram

4P DPST ON-OFF (LED dependent)



Electrical Specifications

Rating	20A 12V DC		Frame	Black, Nylon 66
Contact Resistance	50m ohm Max.		Actuator	Red, PC
Insulation Resistance	DC 500V 100M ohm Min.		LED	Red
Dielectric Strength	AC 1500V 1 minute			
Operation Temperature	-20° C-85° C			

Rev	Date of issue	Revision Notes	Designed	Approved
B	05-04-2020	Initial Drawing	RC	OF