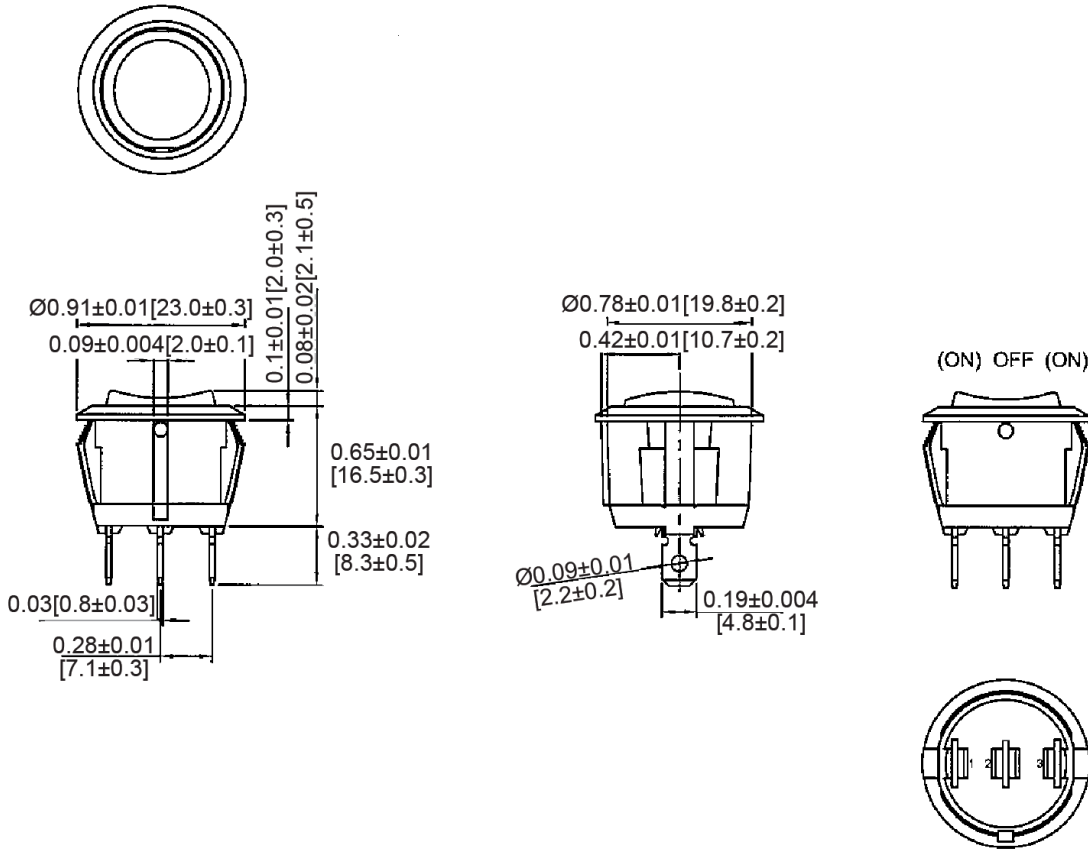
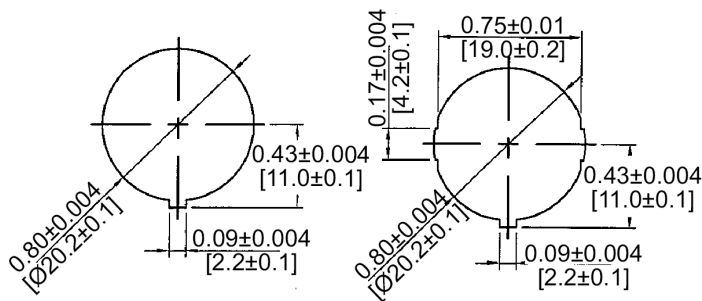


Mechanical Dimensions: Inches [mm]

Tolerances  $\pm 0.012$  [0.3] Unless Otherwise Specified



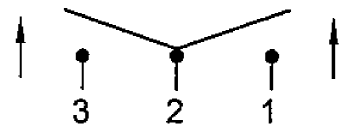
Mounting Hole



Thickness: 0.1~0.12 [2.0~3.0] | 0.03~0.12 [0.7~3.0]

Circuit Diagram

3P SPDT (ON)-OFF-(ON)



Electrical Specifications

DC Rating	20A 14V DC, 10A 28V DC $\text{UL}$
AC Rating	16A 125V AC, 10A 250V AC 10(4)A 125/250V AC $\text{UL}$
Contact Resistance	50m ohm Max
Insulation Resistance	DC 500V 100M ohm Min
Dielectric Strength	AC 1500V 1 minute

Material Specifications

Frame	Black, Nylon 66
Actuator	Black, Nylon 66
Terminals	Silver Plated, Copper Alloy
Operation Temperature	-25°C~85°C

# Rocker Switch

# RA1-1G-DC-2-B



Rev	Date of issue	Revision Notes	Designed	Approved
B	06-08-2021	Initial Drawing	RC	OF