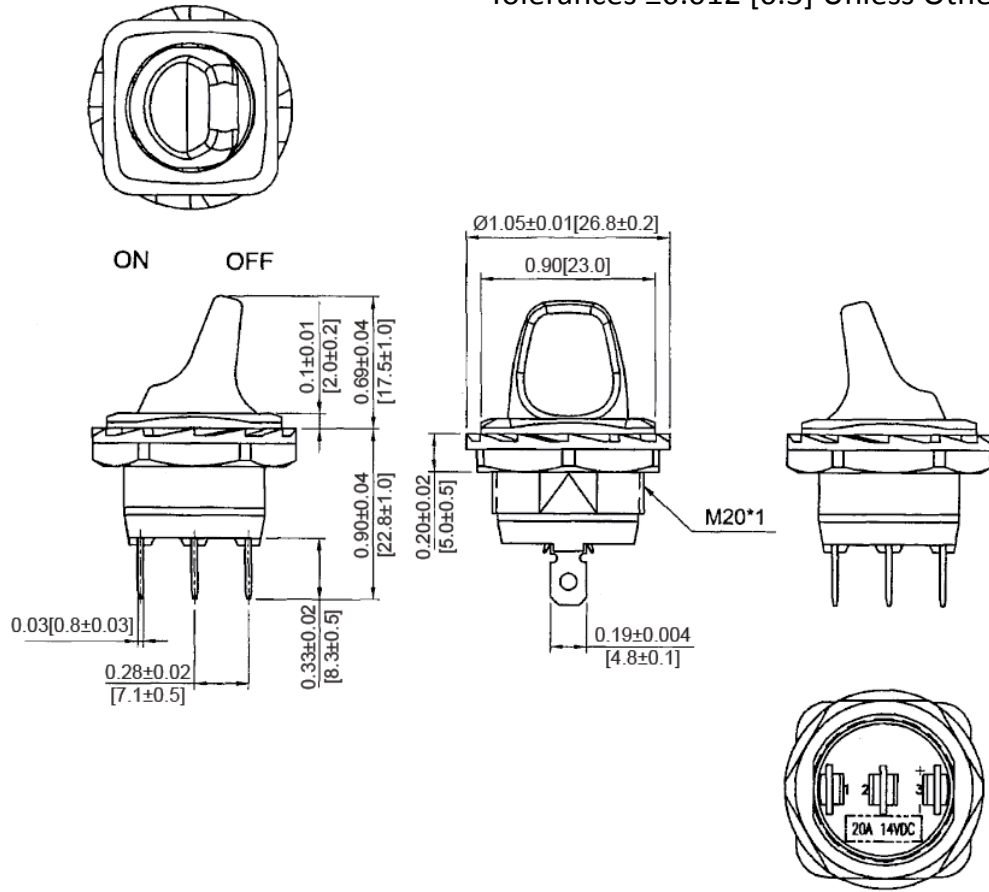
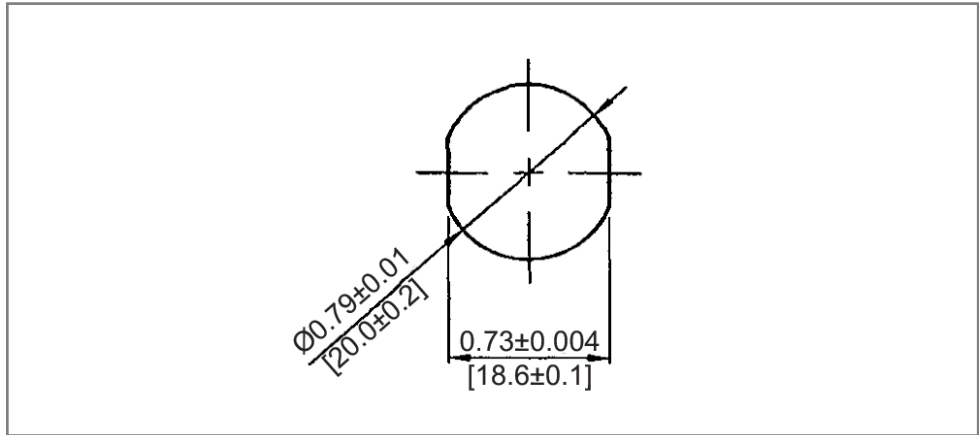


Mechanical Dimensions: Inches [mm]

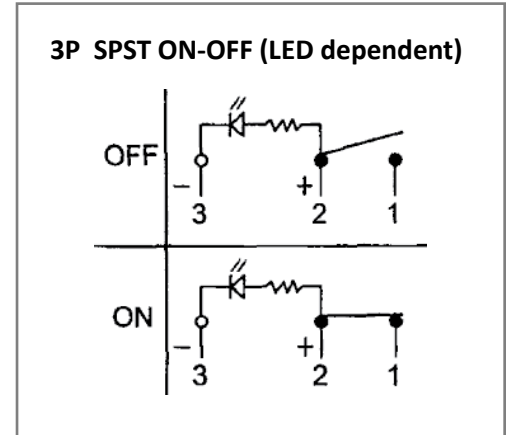
Tolerances ± 0.012 [0.3] Unless Otherwise Specified



Mounting Hole



Circuit Diagram



Electrical Specifications

| | |
|-----------------------|----------------------|
| Rating | 20A 14VDC |
| Contact Resistance | 50m ohm Max |
| Insulation Resistance | DC 500V 100M ohm Min |
| Dielectric Strength | AC 1500V 1 minute |
| Operation Temperature | -20°C~ 85°C |

Material Specifications

| | |
|-------------------|-----------------------|
| Frame Material | Black, Nylon 66+33%GF |
| Actuator Material | Red, PC |
| LED | Red |

| Rev | Date of issue | Revision Notes | Designed | Approved |
|-----|---------------|-----------------|----------|----------|
| A | 01-25-2024 | Initial Drawing | RC | OF |