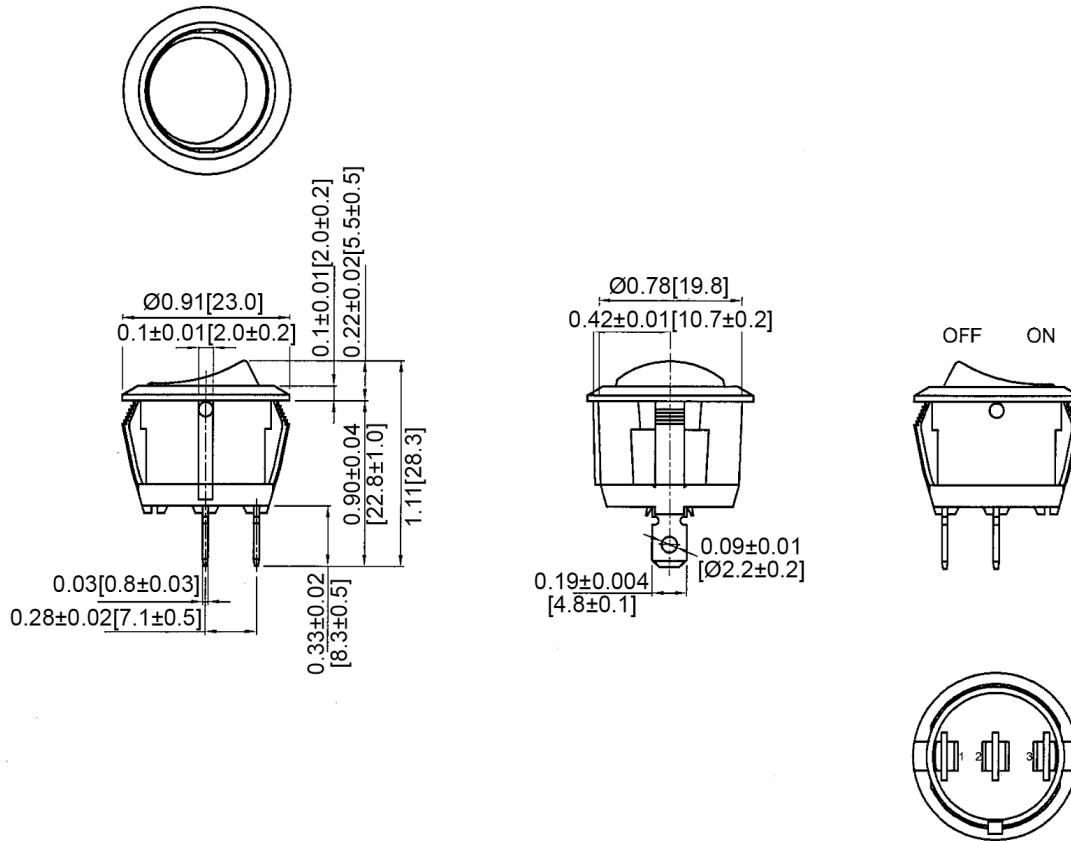
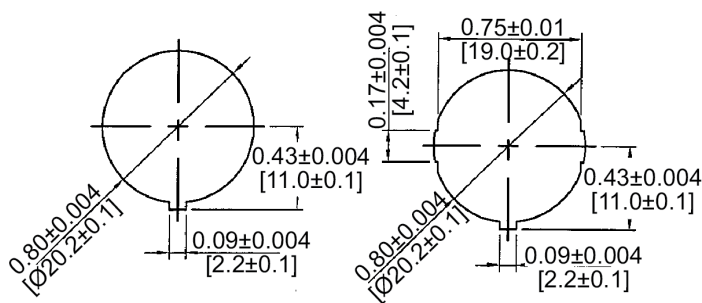


**Mechanical Dimensions: Inches [mm]**

Tolerances  $\pm 0.012$  [0.3] Unless Otherwise Specified



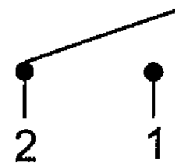
**Mounting Hole**



Thickness: 0.1~0.12 [2.0~3.0] | 0.03~0.12 [0.7~3.0]

**Circuit Diagram**

2P SPST OFF-ON



**Electrical Specifications**

DC Rating	20A 14V DC, 10A 28V DC
AC Rating	16A 125V AC, 10A 250V AC 10(4)A 125/250V AC
Contact Resistance	50m ohm Max
Insulation Resistance	DC 500V 100M ohm Min
Dielectric Strength	AC 1500V 1 minute

**Material Specifications**

Frame	Black, Nylon 66 (94-V2)
Actuator	Black, Nylon 66 (94-V2)
Terminals	C1100
Contacts	AgSnO <sub>2</sub> InO <sub>3</sub>
Operation Temperature	-25°C~85°C

Rev	Date of issue	Revision Notes	Designed	Approved
B	06-08-2021	Initial Drawing	RC	OF