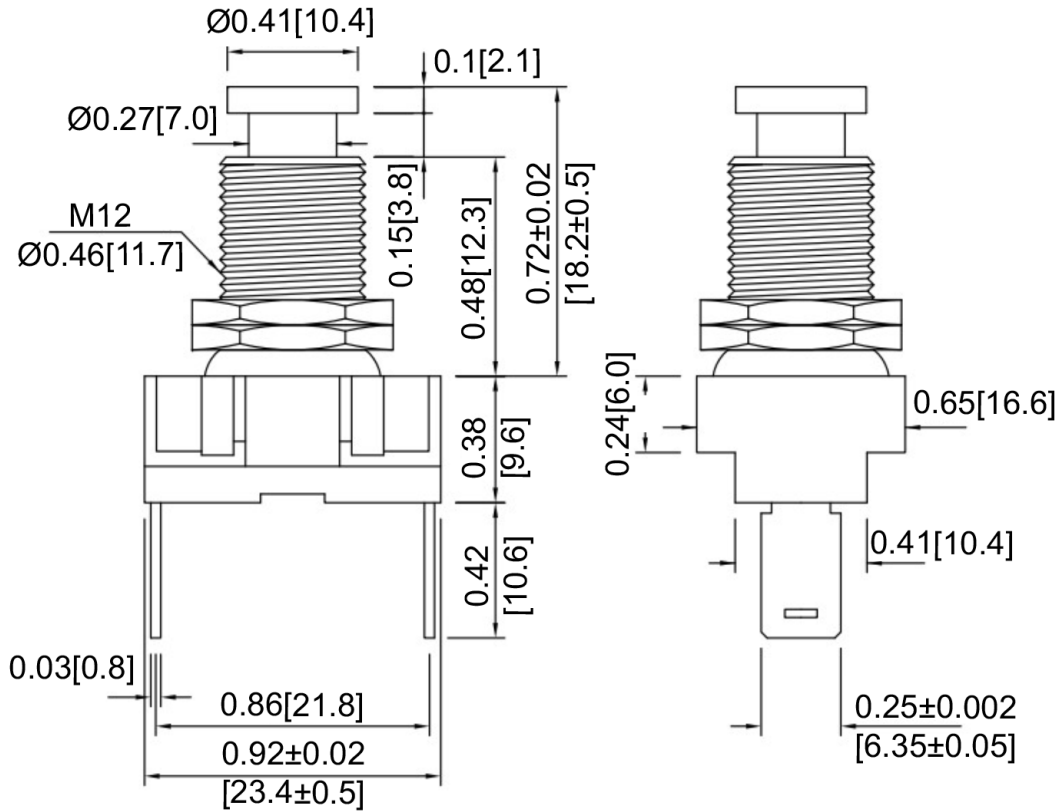
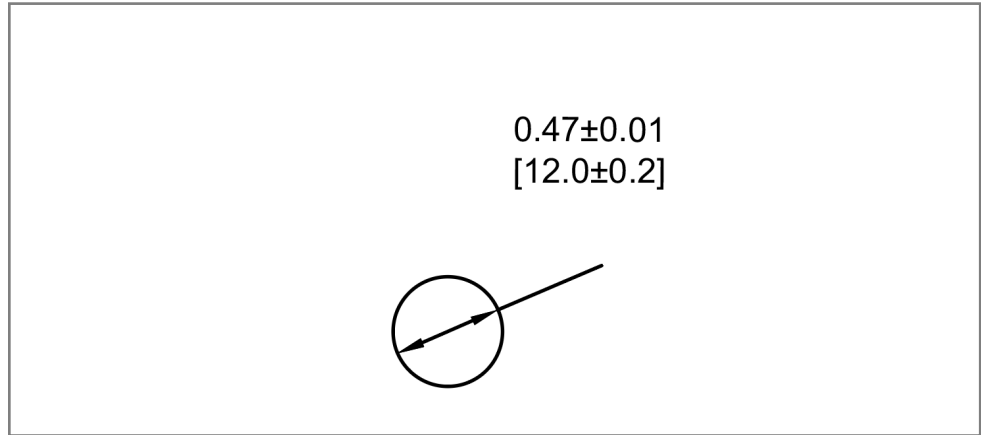


Mechanical Dimensions: Inches [mm]

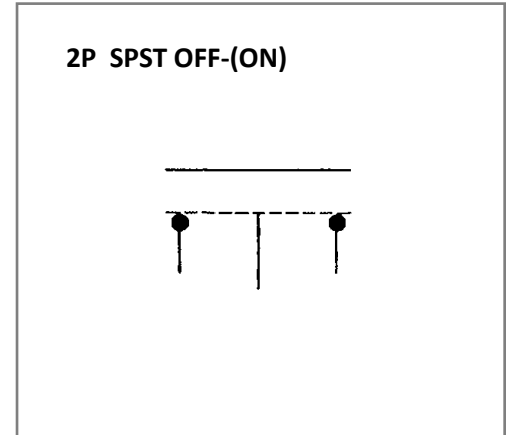
Tolerances ± 0.012 [0.3] Unless Otherwise Specified



Mounting Hole



Circuit Diagram



Electrical Specifications

Rating	15A 120VAC, 10A 250VAC

Rev **Date of issue** **Revision Notes**

Designed **Approved**

A	05-19-2023	Initial Drawing	RC	OF
---	------------	-----------------	----	----