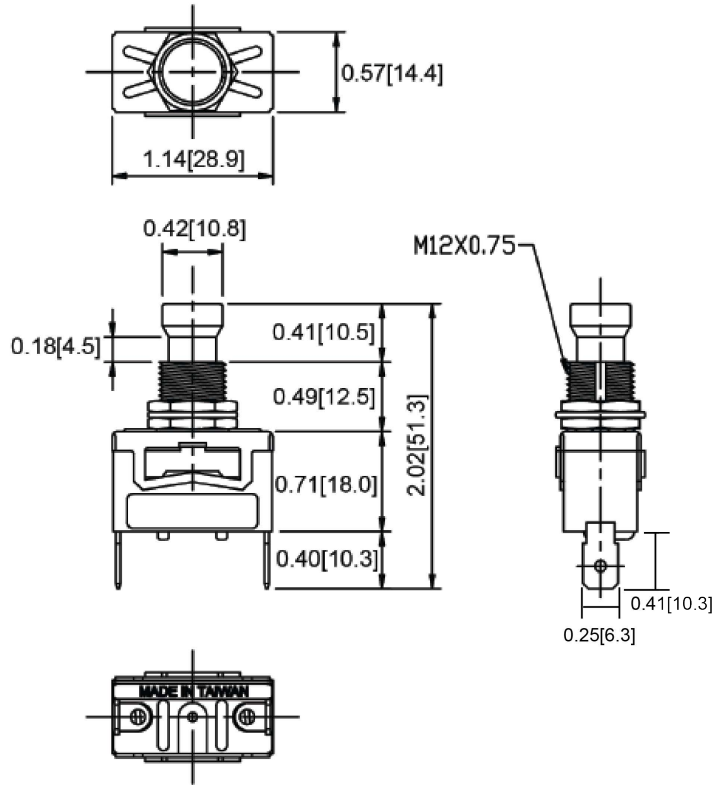
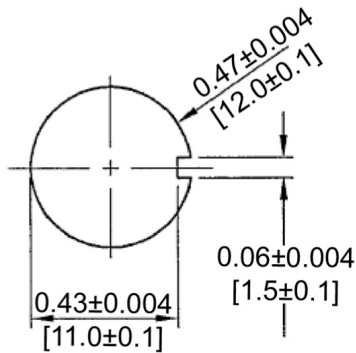


Mechanical Dimensions: Inches [mm]

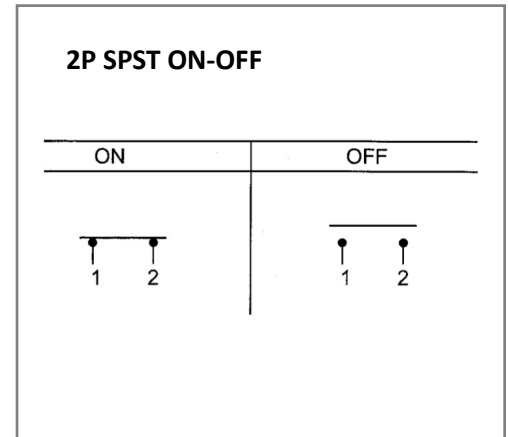
Tolerances ± 0.012 [0.3] Unless Otherwise Specified



Mounting Hole



Circuit Diagram



Electrical Specifications

Rating	10A 12VDC, 15A 125VAC 10A 250VAC
Contact Resistance	20m ohm Max
Insulation Resistance	DC 500V 200M ohm Min
Dielectric Strength	AC 1500V 1 minute
Operation Temperature	-20°C~88°C

Push Button Switch

PE1-1A-DC-1



Rev **Date of issue** **Revision Notes**

Designed **Approved**

A	08-01-2023	Initial Drawing	RC	OF
---	------------	-----------------	----	----