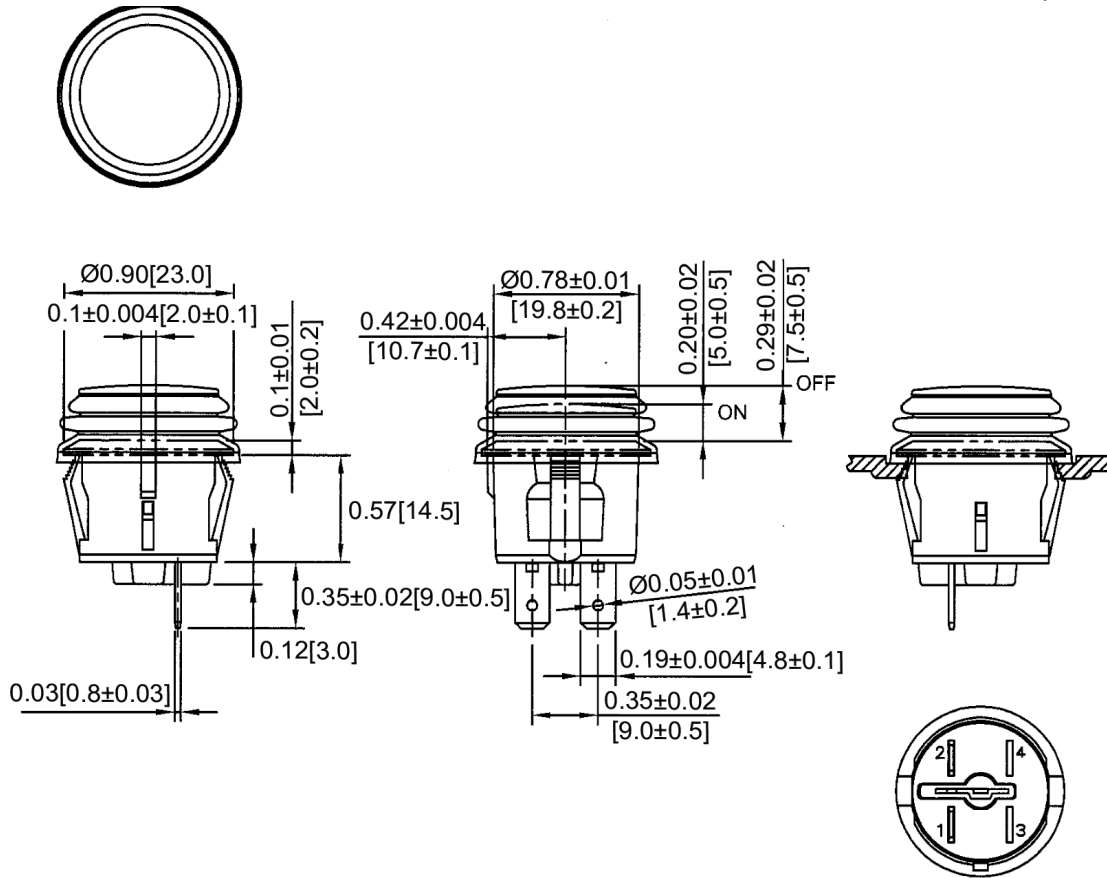
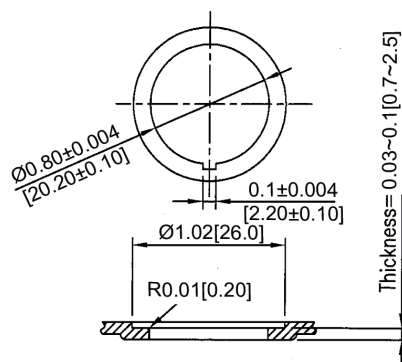


Mechanical Dimensions: Inches [mm]

Tolerances ± 0.012 [0.3] Unless Otherwise Specified

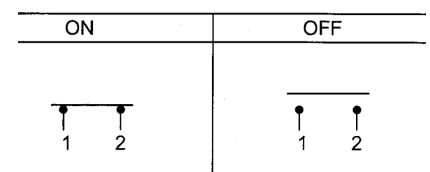


Mounting Hole



Circuit Diagram

2P SPST (OFF)-ON



Electrical Specifications

| | |
|-----------------------|---|
| DC Rating | 20A 14V DC |
| AC Rating | 10A 125V AC, 6A 250V AC, 1/2HP 125V-250V AC 10(4)A 125/250V AC |
| Contact Resistance | 50m ohm Max. |
| Insulation Resistance | DC 500V 100M ohm Min |
| Dielectric Strength | AC 1500V 1 minute |

Material Specifications

| | |
|-----------------------|-----------------------------|
| Frame | Black, Nylon 66 (94-V2) |
| Actuator | Black, PC (94-V2) |
| Terminals | Silver Plated, Copper Alloy |
| Ingress Protection | Black, Silicone IP65 |
| Operation Temperature | -20°C ~ 85°C |

Rev **Date of issue** **Revision Notes**

Designed **Approved**

| | | | | |
|---|------------|-----------------|----|----|
| A | 05-18-2021 | Initial Drawing | RC | OF |
|---|------------|-----------------|----|----|