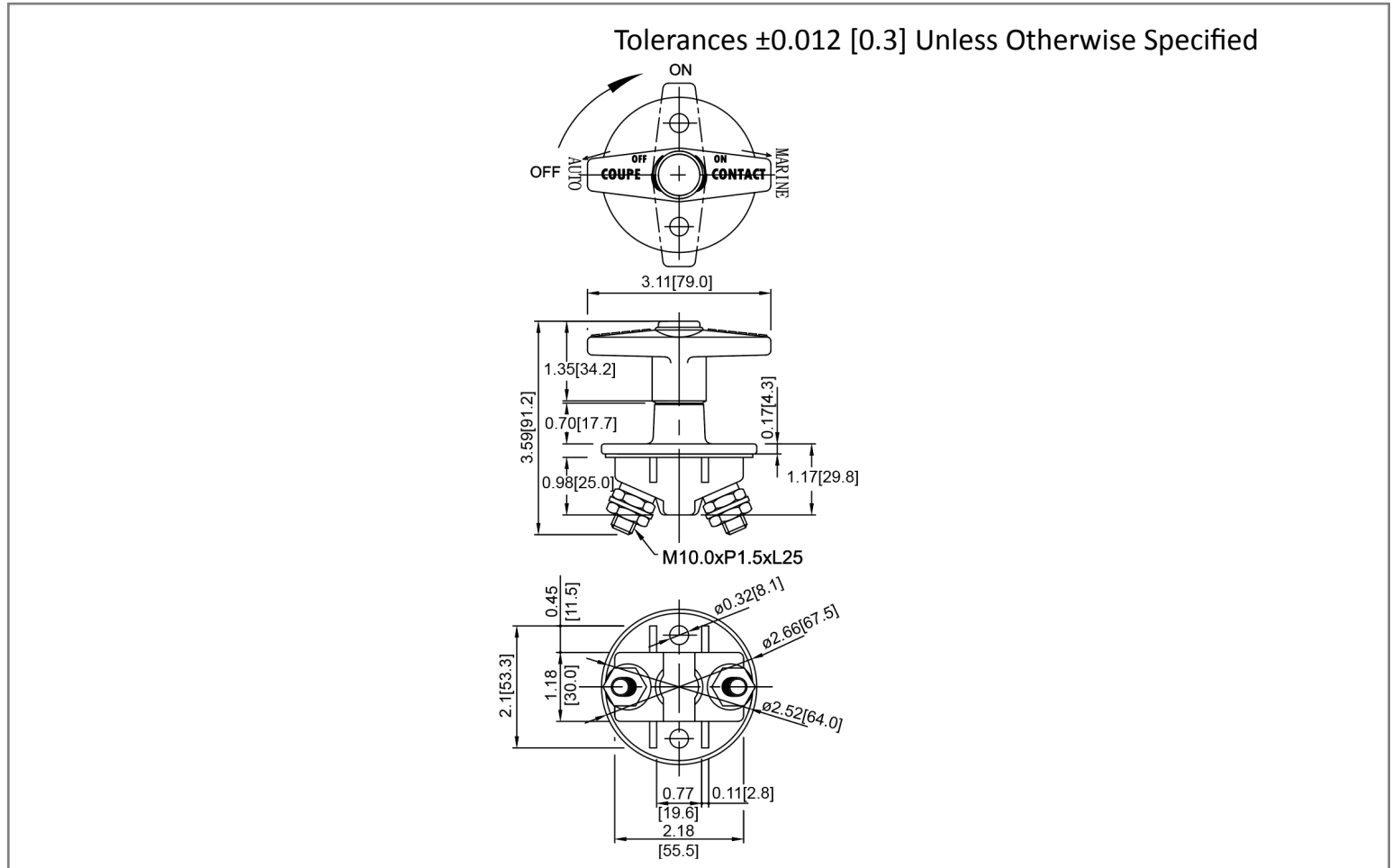
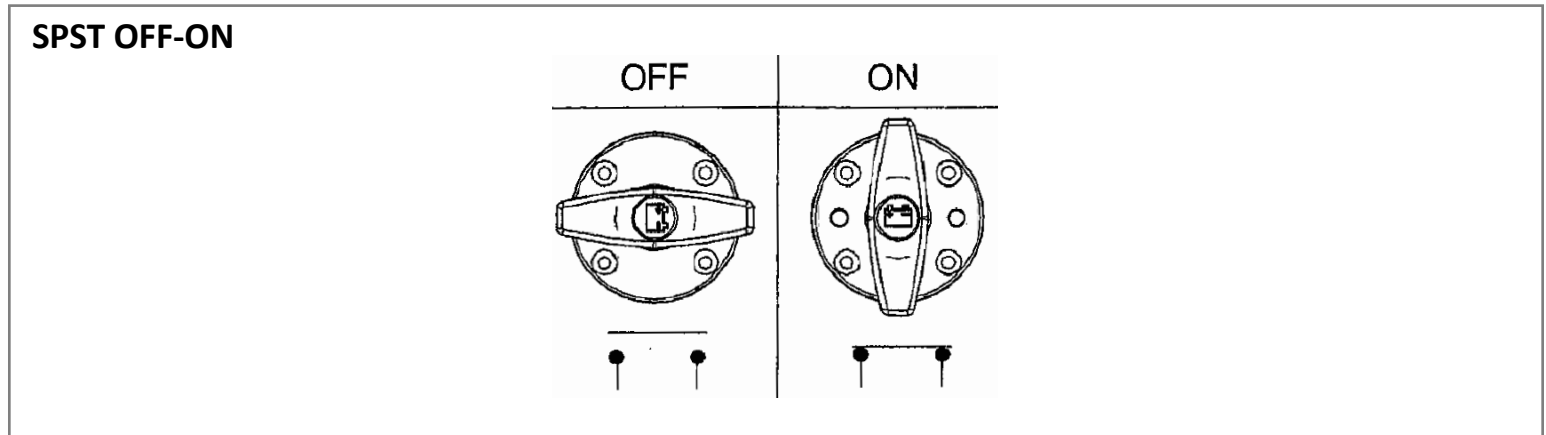


Mechanical Dimensions: Inches [mm]



Circuit Diagram



Electrical Specifications

Continuous Rating	300A 12V DC
Intermittent Rating	800A

Material Specifications

Housing	Zinc
Bottom	Nylon 66 with 30% Fiberglass
Terminals / Contacts	Copper Alloy
Actuator	Red T-Handle, Non Removable

Rev	Date of issue	Revision Notes	Designed	Approved
A	12-14-2020	Initial Drawing	RC	OF