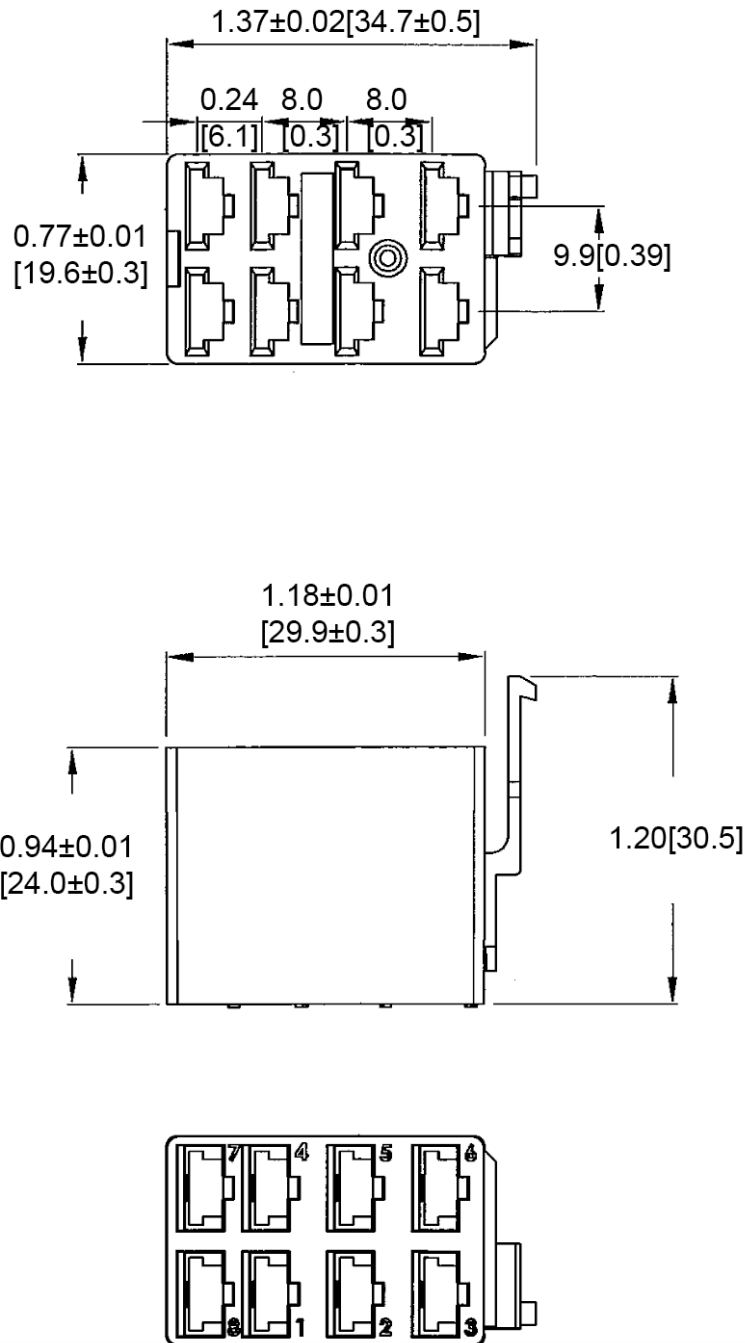


Mechanical Dimensions: Inches [mm]

Tolerances ± 0.012 [0.3] Unless Otherwise Specified



Specifications

	Black, Nylon 66 (UL94V-2)	
Applicable Terminals	0.250" (6.35 mm)	
Applicable Wires	14-18 AWG	
Terminal Pull Out Force	9.0 Kgf min	
	Fits SRD Series	

Rev	Date of issue	Revision Notes	Designed	Approved
A	06-06-2022	Initial Drawing	RC	OF