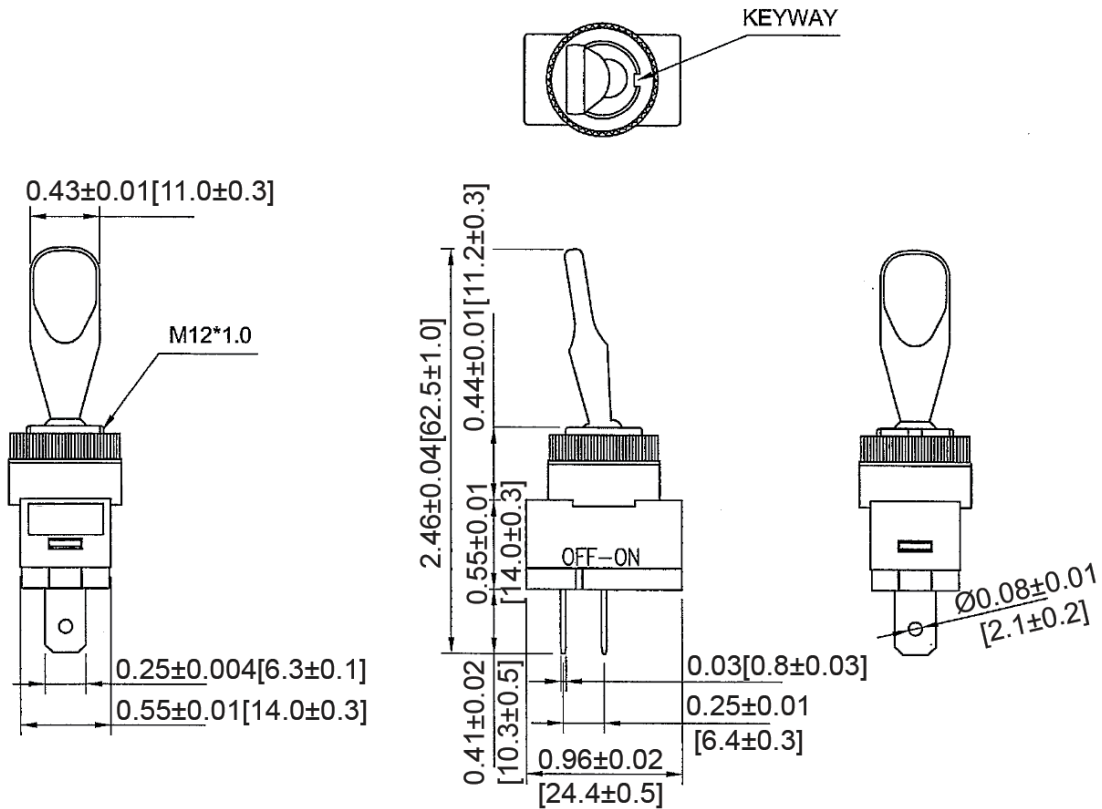
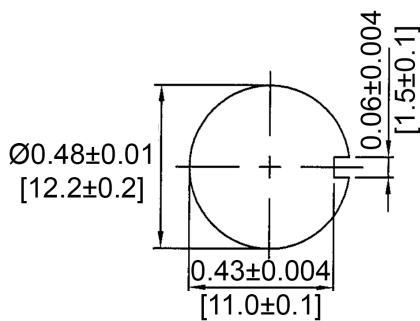


Mechanical Dimensions: Inches [mm]

Tolerances ± 0.012 [0.3] Unless Otherwise Specified



Mounting Hole



Circuit Diagram

2P SPST ON-OFF



Electrical Specifications

Rating	20A 12V DC
Contact Resistance	50m ohm Max
Insulation Resistance	DC 500V 100M ohm Min
Dielectric Strength	AC 500V 1 minute
Operation Temperature	-20°C~85°C

Material Specifications

Frame	Nylon #66
Actuator	PC
Terminals	C2680
Contacts	C2680

Rev	Date of issue	Revision Notes	Designed	Approved
C	09-26-2023	Initial Drawing	RC	OF