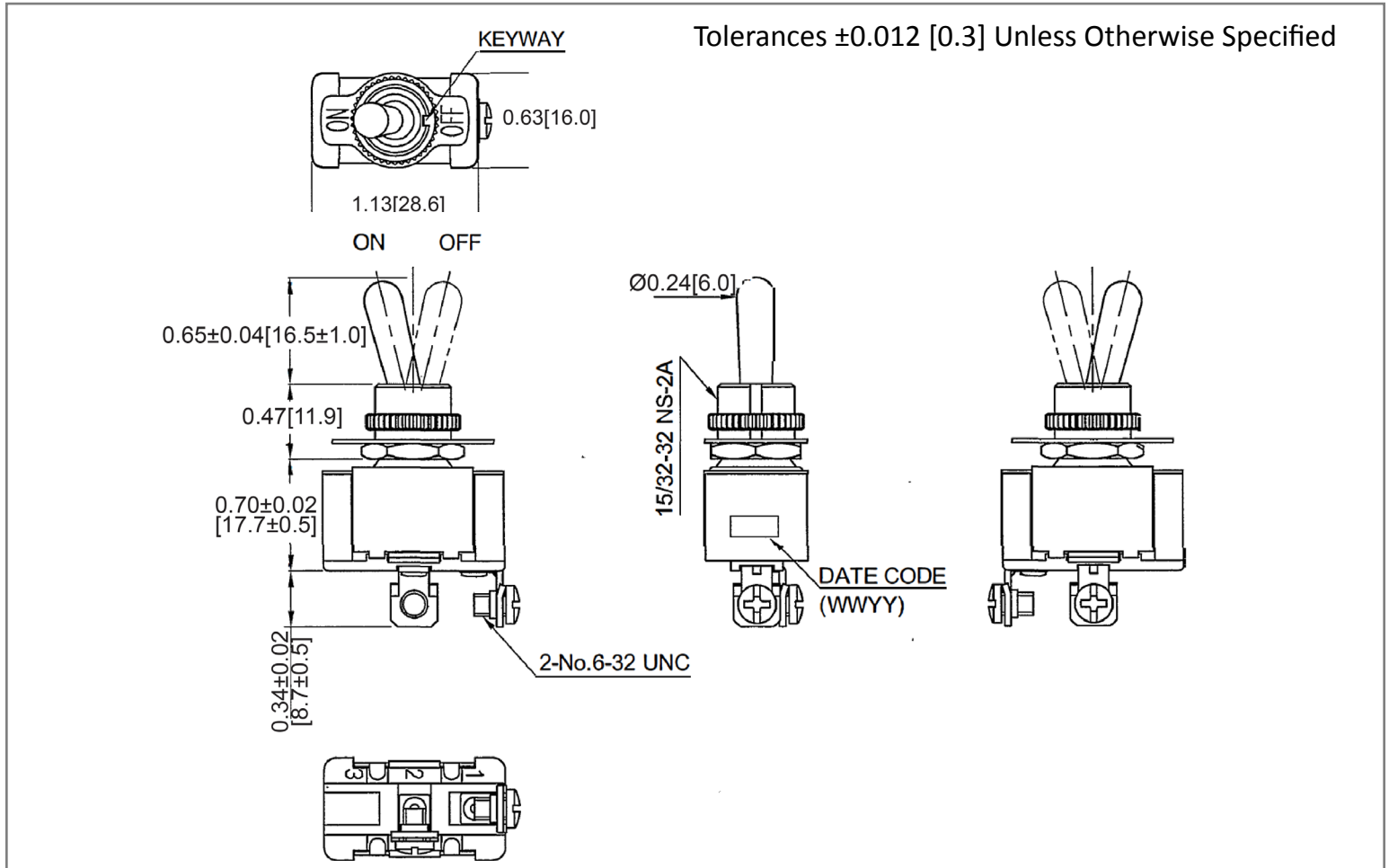
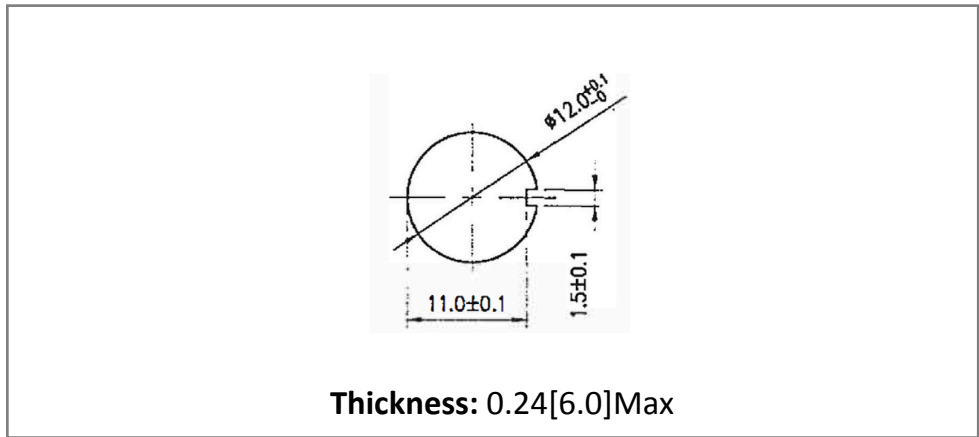


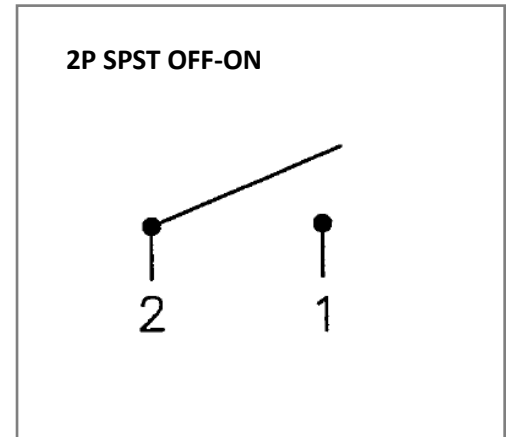
Mechanical Dimensions: Inches [mm]



Mounting Hole



Circuit Diagram



Electrical Specifications

| | |
|-----------------------|---|
| DC Rating | 21A 14V DC |
| AC Rating | 20A 125V AC, 10A 277V AC, 3/4HP 125-250V AC 12(4)A 125/250V AC |
| Contact Resistance | 50m ohm Max |
| Insulation Resistance | DC 500V 100M ohm Min |
| Dielectric Strength | AC 1500V 1 minute |

Material Specifications

| | |
|--------------------------|--------------------|
| Operation Force | 700gf \pm 250 gf |
| 1 knurl nut assy | 1 hex nut assy |
| 1 ON/OFF Face plate assy | 1 Internal O-Ring |
| Operation Temperature | -20°C~85°C |
| Ingress Protection | IP55 |

| Rev | Date of issue | Revision Notes | Designed | Approved |
|-----|---------------|-----------------|----------|----------|
| B | 06-08-2021 | Initial Drawing | RC | OF |