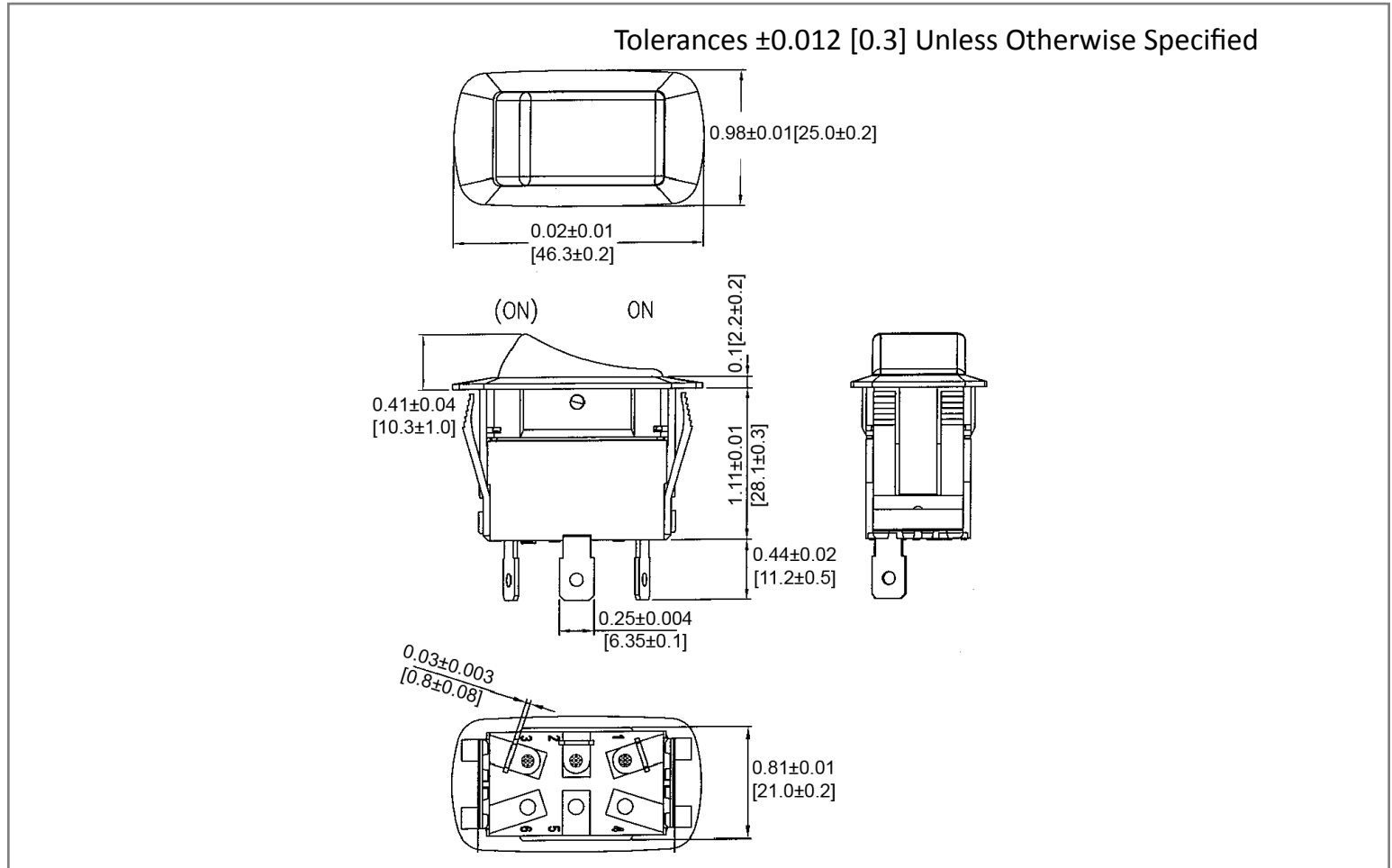
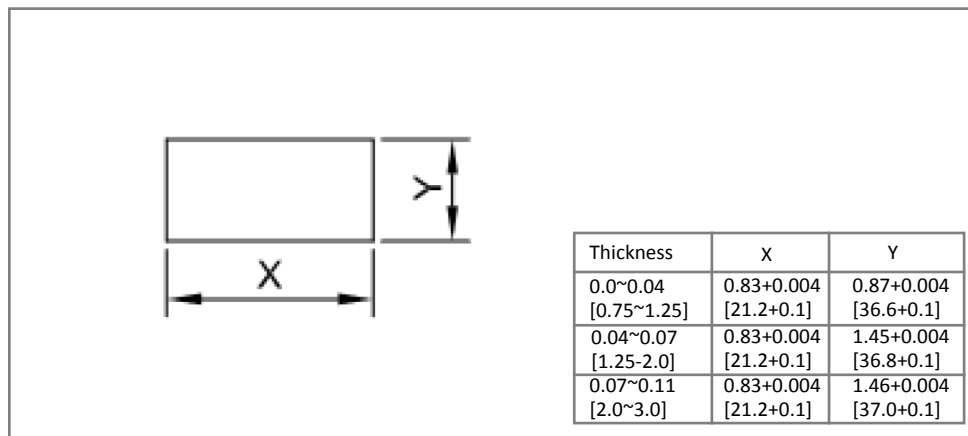


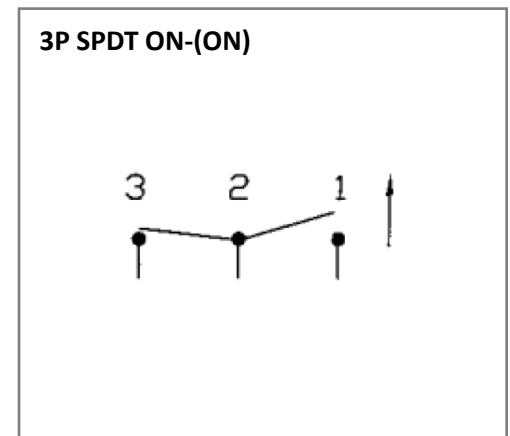
## Mechanical Dimensions: Inches [mm]



## Mounting Hole



## Circuit Diagram



## Electrical Specifications

<b>DC Rating</b>	21A 14V DC, 10A 28V DC
<b>AC Rating</b>	16A 125V AC, 10A 277V AC, 3/4HP 125-277VAC, 20A 125V AC, 10A 250V AC16(4)A 125/250V AC
<b>Contact Resistance</b>	50m ohm Max.
<b>Insulation Resistance</b>	DC 500V 100M ohm Min
<b>Dielectric Strength</b>	AC 1500V 1 minute

## Material Specifications

<b>Frame</b>	Black, Nylon 66
<b>Actuator</b>	Black, Nylon 66+33%GF
<b>Ingress Protection</b>	IP56
<b>Operation Temperature</b>	-20°C ~ 85°C

**Rev**    **Date of issue**    **Revision Notes**

**Designed**    **Approved**

A	02-04-2021	Initial Drawing	RC	OF
---	------------	-----------------	----	----