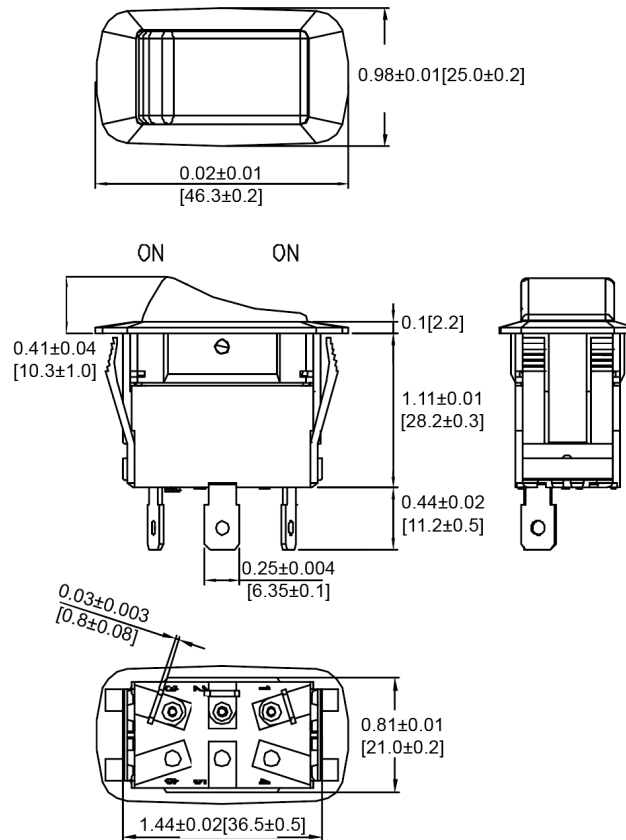
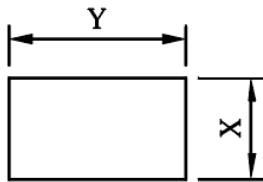


Mechanical Dimensions: Inches [mm]

Tolerances ± 0.012 [0.3] Unless Otherwise Specified



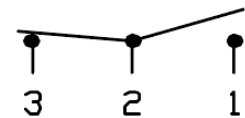
Mounting Hole



Thickness	X	Y
0.0~0.04 [0.75~1.25]	0.83 ± 0.004 [21.2 \pm 0.1]	0.87 ± 0.004 [36.6 \pm 0.1]
0.04~0.07 [1.25~2.0]	0.83 ± 0.004 [21.2 \pm 0.1]	1.45 ± 0.004 [36.8 \pm 0.1]
0.07~0.11 [2.0~3.0]	0.83 ± 0.004 [21.2 \pm 0.1]	1.46 ± 0.004 [37.0 \pm 0.1]

Circuit Diagram

3P SPDT ON-ON



Electrical Specifications

DC Rating	21A 14V DC, 10A 28V DC
AC Rating	16A 125V AC, 10A 277V AC, 3/4HP 125-277V AC, 20A 125V AC, 10A 250V AC16(4)A 125/250V AC
Contact Resistance	50m ohm Max.
Insulation Resistance	DC 500V 100M ohm Min
Dielectric Strength	AC 1500V 1 minute

Material Specifications

Frame	Black, Nylon 66
Actuator	Black, Nylon 66+33%GF
Ingress Protection	IP56
Operation Temperature	-20°C ~ 85°C

Rev **Date of issue** **Revision Notes**

Designed **Approved**

A	02-04-2021	Initial Drawing	RC	OF
---	------------	-----------------	----	----