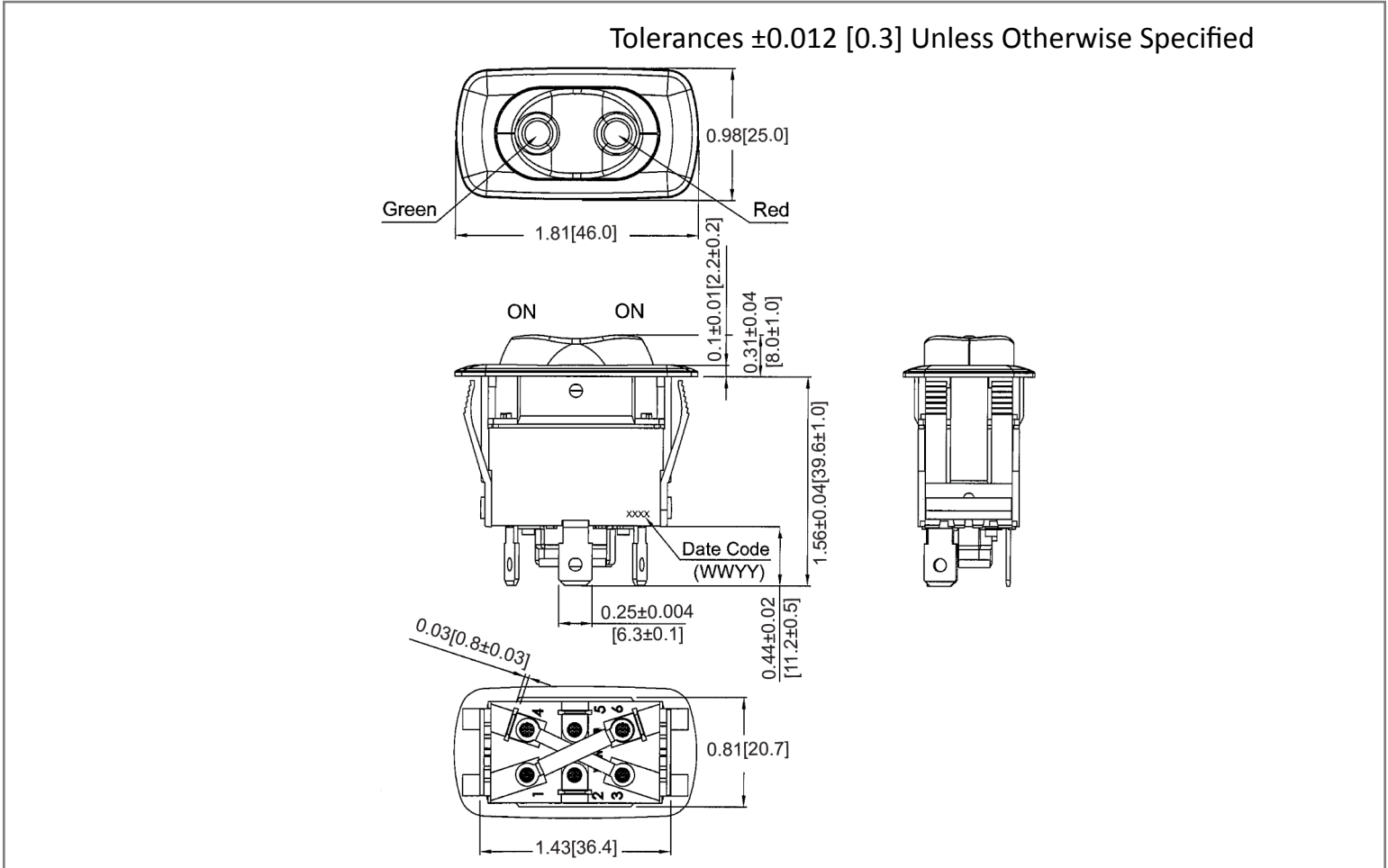
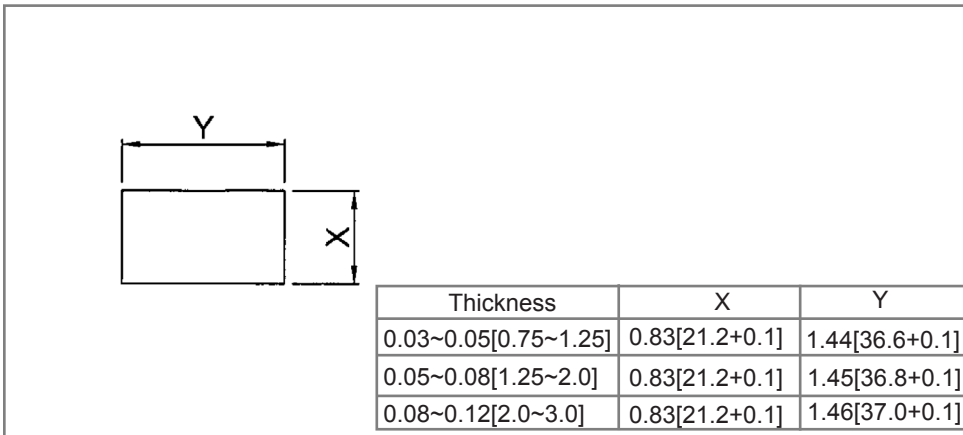


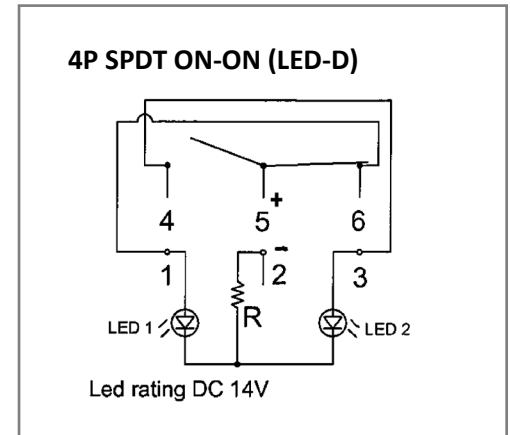
## Mechanical Dimensions: Inches [mm]



## Mounting Hole



## Circuit Diagram



## Electrical Specifications

<b>Rating</b>	21A 14V DC	
<b>Contact Resistance</b>	50m ohm Max	
<b>Insulation Resistance</b>	DC 500V 100M ohm Min	
<b>Dielectric Strength</b>	AC 1500V 1minute	
<b>Operation Temperature</b>	-20°C~85°C	

## Material Specifications

<b>Frame</b>	Black, Nylon #66
<b>Actuator</b>	Black, Nylon #66
<b>LED</b>	Green/Red, LEDs (Dependent)
<b>Ingress Protection</b>	IP56

**Rev**    **Date of issue**    **Revision Notes**

**Designed**    **Approved**

B	02-26-2020	Initial Drawing	RC	OF
---	------------	-----------------	----	----