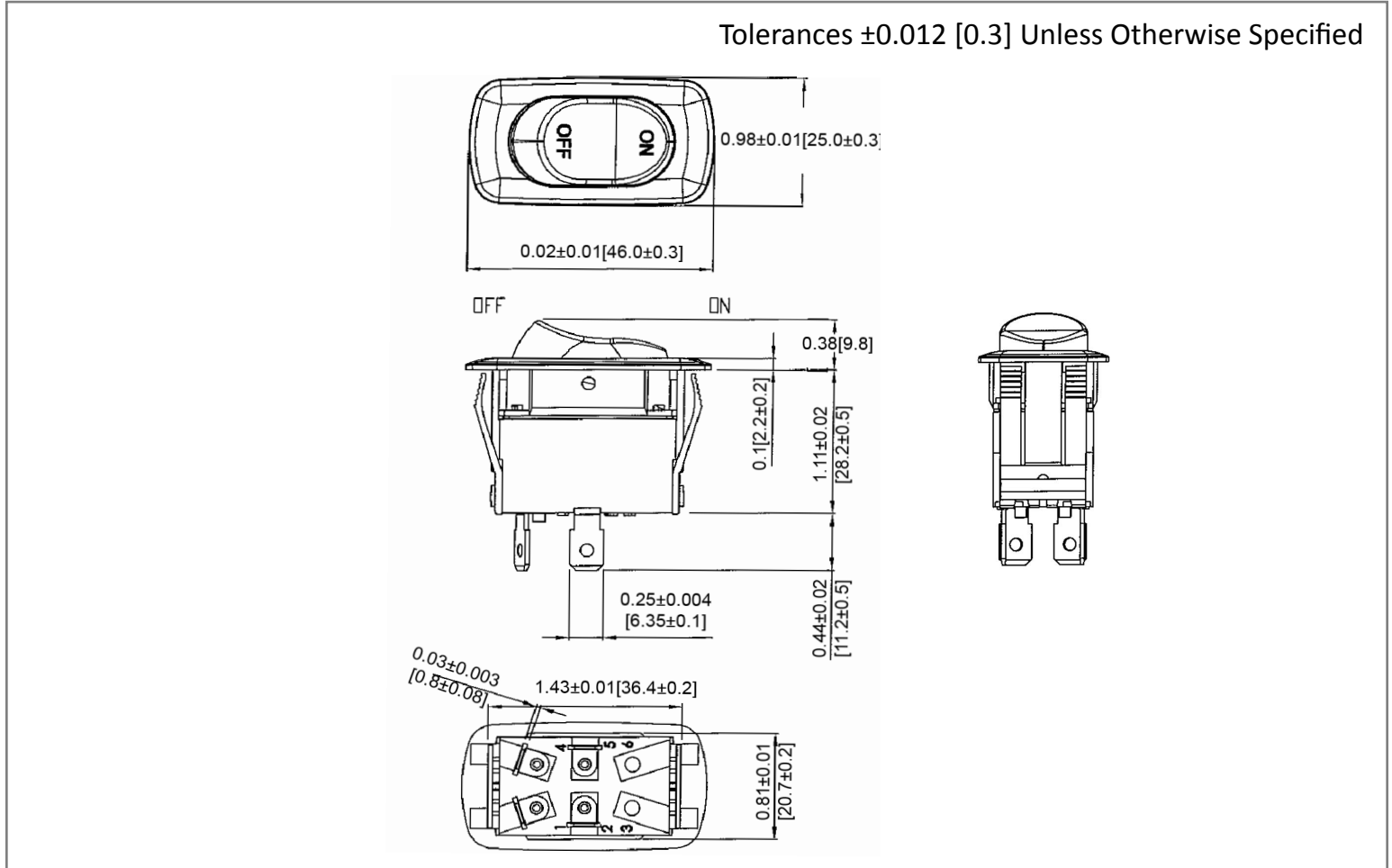
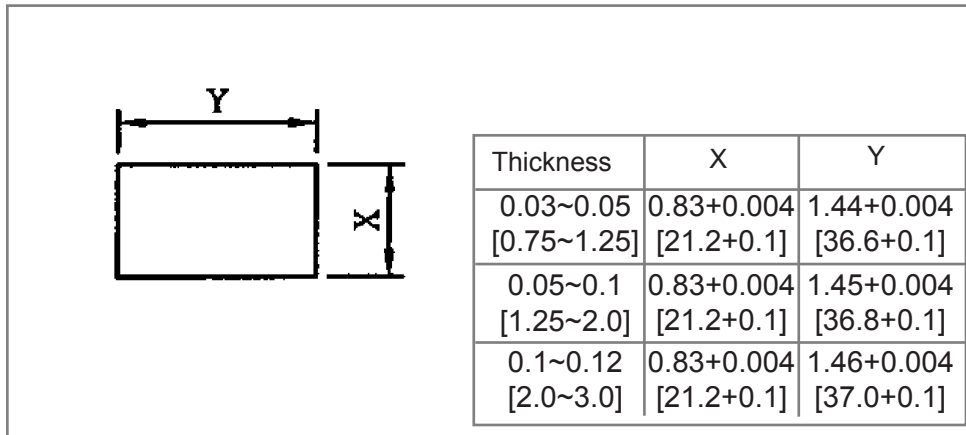


Mechanical Dimensions: Inches [mm]

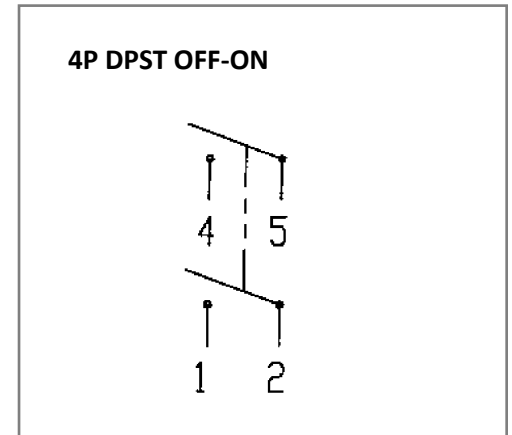
Tolerances ± 0.012 [0.3] Unless Otherwise Specified



Mounting Hole



Circuit Diagram



Electrical Specifications

DC Rating	21A 14V DC, 10A 28V DC	
AC Rating	16A 125V AC, 10A 277V AC, 3/4HP 125-277V AC16(4)A 125/250V AC	
Contact Resistance	50m ohm Max	
Insulation Resistance	DC 500V 100M ohm Min	
Dielectric Strength	AC 1500V 1 minute	

Material Specifications

Frame	Black, Nylon 66
Actuator	Black, Nylon 66
Ingress Protection	IP56
Printed	White, hot stamping
Operation Temperature	-20°C~85°C

Rev **Date of issue** **Revision Notes**

Designed **Approved**

B	06-08-2021	Initial Drawing	RC	OF
---	------------	-----------------	----	----